

Element color band changes to blue indicating need for replacement.

Excelon® design allows in-line or modular installation

Adsorbing type activated carbon element removes oil vapors and most hydrocarbon odors

Quick release bayonet bowl

Modular installations with Excelon® 72, 73, and 74 series can be configured for particular applications



F72V



F74V

Technical data

Fluid:

Compressed air, neutral gases
NOTE: Contact technical support for use with other media.

Maximum pressure:

Transparent bowl: 150 psig (10 bar)

Metal bowl: 250 psig (17 bar)

Operating temperature*:

Transparent bowl:
0° to 125°F (-20° to 50°C)

Metal bowl:

0° to 150°F (-20° to 65°C)
* Air supply must be dry enough to avoid ice formation at temperatures below 35°F (2°C)

Filtration:

Within ISO 8573-1, Class 1 (oil content) when installed downstream of an oil removal filter.

Maximum remaining oil content in outlet air:

0.003 ppm at 70°F (20°C)

Materials

F72V

Body: zinc
Transparent bowl: polycarbonate
Metal bowl: zinc
Element: Activated carbon and polycarbonate
Elastomers: chloroprene and nitrile

F74V

Body: aluminum
Transparent Bowl: polycarbonate with aluminum bowl guard
Metal bowl: aluminum
Element: activated carbon and aluminum
Elastomers: chloroprene and nitrile

Ordering information

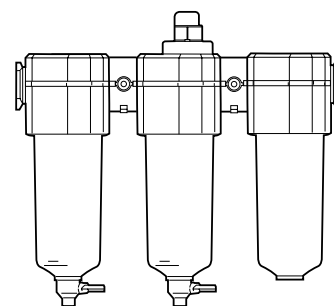
Models listed include PTF threads.

Symbol	Port Size	Model	Flow* scfm (dm3/s)	Weight lb (kg)
	1/4"	F72V-2AN-ELC	3.4 (1.6)	0.88 (0.40)
	1/2"	F74V-4AN-EMA	21 (10)	2.51 (1.14)
	3/4"	F74V-6AN-EMA	21 (10)	2.46 (1.12)

* Maximum flow with 90 psig (6.3 bar) inlet pressure to maintain stated oil removal performance.

Options selector

Series	Substitute	Element	Substitute
72	2	Activated carbon (74)	A
74	4	Activated carbon (72)	C
Port size	Substitute	Bowl (closed bottom)	Substitute
1/4 (72)	2	Metal (72)	C
3/8 (72, 74)	3	Long transparent (72)	L
1/2 (74)	4	Metal (74)	M
3/4 (74)	6	Transparent with guard (74)	P
Threads	Substitute		
PTF	A		
ISO G parallel	G		



General purpose filter
Oil removal filter
Oil vapor removal filter (5µm)

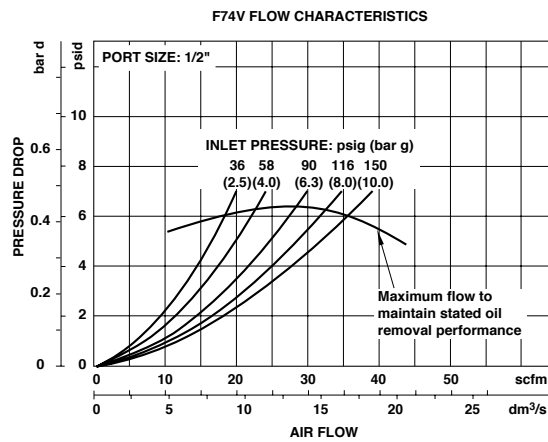
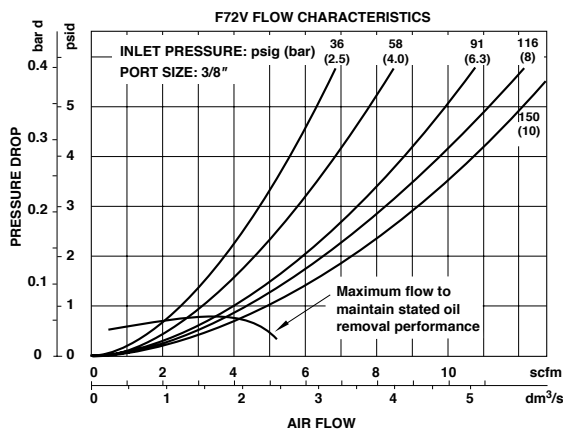
Oil vapor removal filters must be protected upstream by an oil removal filter and general purpose filter.

Accessories

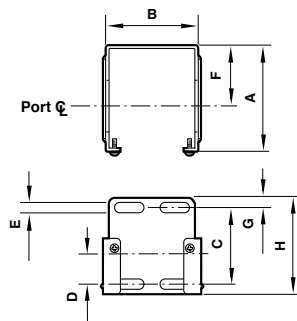
	Wall mounting bracket*	Quikmount pipe adapters (quantity of 1) (NPT)	Quikclamp® (quantity of 1)	Quikclamp® and wall bracket (quantity of 1)	Service kit seal and gasket	Replacement elements
F72V	4224-50	4215-02 (1/4) 4215-03 (3/8)	4214-51	4214-52	4380-500	4241-01
F74V	4324-50	4315-02 (3/8) 4315-03 (1/2) 4315-04 (3/4)	4314-51	4314-52	4380-750	4341-01

* Bracket kit does not include wall mounting screws.

Typical Performance Characteristics

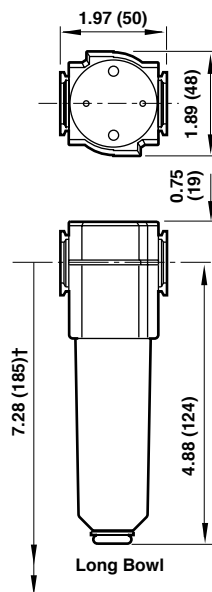


Mounting bracket



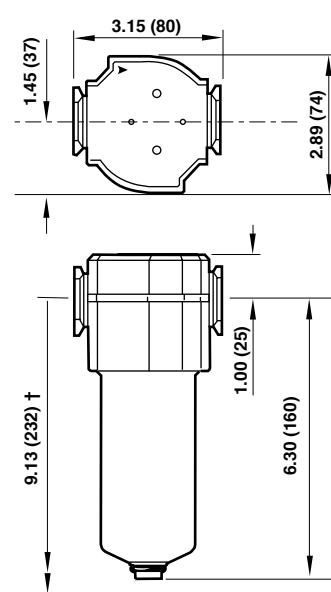
Series	A	B	C	D	E	F	G	H
72	2.36	1.65	1.54	0.73	0.16	1.50	0.24	2.01
74	3.11	2.72	1.97	0.79	0.20	2.01	0.24	2.40

F72V



† Minimum clearance required to remove bowl.

F74V



† Minimum clearance required to remove bowl.

Dimensions in inches (mm)