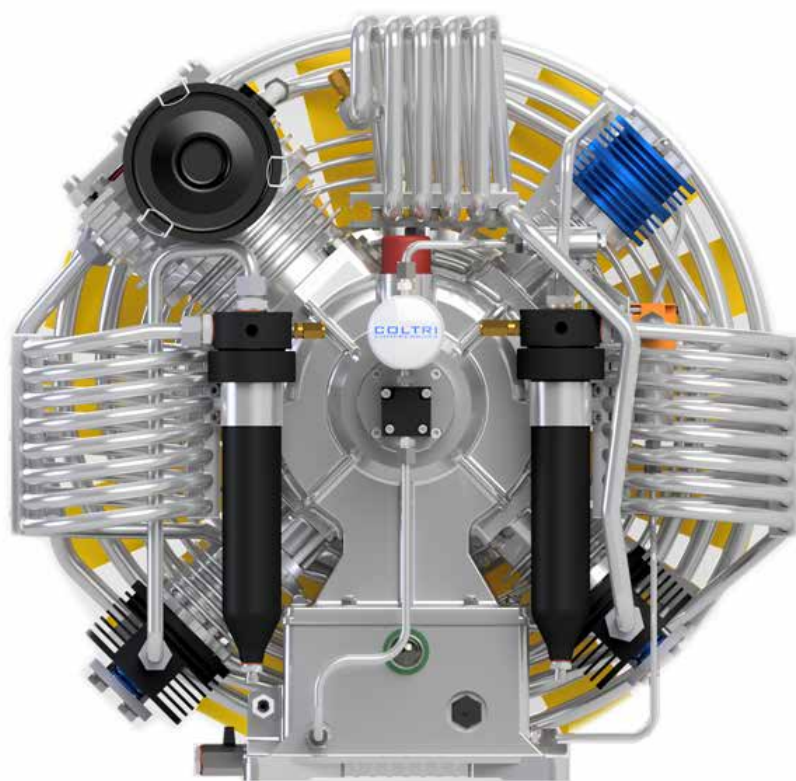


Italiano   
English 



HIGH PRESSURE COMPRESSORS FOR PURE BREATHING AIR AND TECHNICAL GASES  
COMPRESSORE AD ALTA PRESSIONE PER ARIA RESPIRABILE E GAS TECNICI



**CATALOGO RICAMBI  
SPARE PARTS LIST**

**HEAVY DUTY LINE:**

- MCH-22-30-36-45/OPEN
- MCH-22-30-36-45/SILENT

# HEAVY DUTY



I prezzi indicati nel presente listino sono IVA ESCLUSA.  
La resa della merce È FRANCO nostra fabbrica - trasporto escluso.  
*All prices herewith listed are vat excluded.*  
*Delivery terms : ex work our company.*

I dati riportati nel presente catalogo non sono impegnativi. AEROTECNICA COLTRI SpA si riserva di modificare i dati in qualsiasi momento.  
*AEROTECNICA COLTRI SpA reserves the right of amending the data contained in this catalogue at any time.*

INDICE	INDEX	PAG.
MONOBLOCCO	CRANKCASE ASSEMBLY	4
COLLO D'OCA	CRANKSHAFT	6
1° STADIO	1 <sup>ST</sup> STAGE	8
2° STADIO	2 <sup>ND</sup> STAGE	10
3° STADIO	3 <sup>RD</sup> STAGE	12
4° STADIO	4 <sup>TH</sup> STAGE	14
SEPARATORI DI CONDENZA	CONDENSATE SEPARATOR	16
CIRCUITO DI PRESSIONE 1°/2° STADIO	1 <sup>ST</sup> /2 <sup>ND</sup> STAGE PRESSURE CIRCUIT	18
CIRCUITO DI PRESSIONE 3°/4° STADIO	3 <sup>RD</sup> /4 <sup>TH</sup> STAGE PRESSURE CIRCUIT	20
CIRCUITO DI LUBRIFICAZIONE	LUBRICATION CIRCUIT	22
CIRCUITO DI UTILIZZO	PNEUMATIC CIRCUIT	24
CIRCUITO SCARICO CONDENZA	CONDENSATE DISCHARGE CIRCUIT	26
HYPERFILTER - SEPARATORE VALVOLA DI MANTENIMENTO - VALVOLA DI SICUREZZA	HYPERFILTER - CONDENSATE SEPARATOR MAINTENANCE VALVE - SAFETY VALVE	28
TARGHETTE DI SICUREZZA	SAFETY INFO LABELS	30
QUADRO ELETTRICO	ELECTRICAL BOARD	32
PULEGGIA MOTORE/CINGHIA DI TRASMISSION	ENGINE PULLEY/TRANSMISSION BELT	32
ATTACCHI PER RICARICA BOMBOLE	CYLINDER REFILL CONNECTORS	34
MATERIALE DI CONSUMO	CONSUMABLES	34

**MONOBLOCCO - CRANKCASE ASSEMBLY**

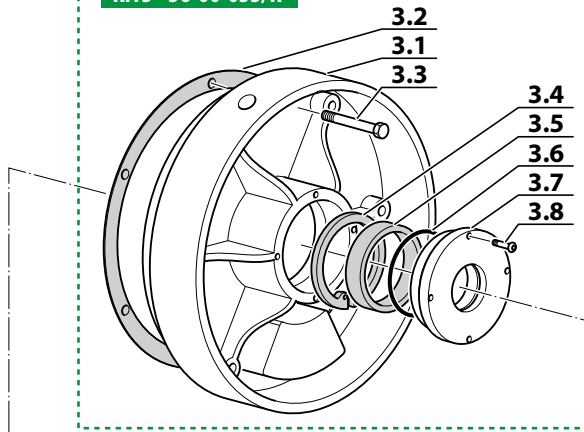
RIF. POS.	Q.TÀ Q.TY	CODICE CODE	DESCRIZIONE	DESCRIPTION
<b>KIT1</b>	<b>1</b>	<b>36-00-004/R</b>	<b>KIT MONOBLOCCO</b>	<b>CRANKCASE KIT</b>
1.1	1		MONOBLOCCO MCH-36	CRANKCASE MCH-36
1.2	1		TAPPO CARICO OLIO MCH-36	OIL FILLER TAP
1.3	1		O-RING 4131 NBR 90 (D32,92x3.53)	O-RING 4131 NBR 90 (D32,92x3.53)
1.4	4		VITE PRIGIONIERA M10X40-8.8	TIE ROD M10X40-8.8
1.5	4		DADO ZINCATO AUTOBLOCC.M10 ALTO	SELF-LOCKING NUT M10
1.6	14		VITE PRIGIONIERA M8X42-8.8	TIE ROD M8X42-8.8
1.7	19		DADO AUTOBLOCC.M8 INOX	SELF-LOCKING NUT M8 INOX
1.8	4		VITE PRIGIONIERA M8X90-8.8	TIE ROD M8X90-8.8
1.9	7		RONDELLA ZINCATA M8	WASHER M8
1.10	1		GUARNIZIONE BASAMENTO MONOBLOCCO	GASKET CRANKCASE-BASE
1.11	1		VITE PRIGIONIERA M8X35 D00115	TIE ROD M8X35
1.12	1		ANELLO ELASTICO SEEGER J 62 DIN 472	SEEGER J 62 DIN 472
1.13	1		CUSCINETTO RULLI NU 305 ECP	ROLLER BEARING NU 305 ECP
1.14	1		GUARNIZIONE FLANGIA MONOBLOCCMCH36	GASKET CRANKCASE FLANGE
1.15	6		VITE TCEIZN M8X35-8.8	SCREW TCEIZN M8X35-8.8
<b>KIT2a</b>	<b>1</b>	<b>36-00-001//R</b>	<b>KIT NUOVO BASAMENTO MONOBLOCCO</b>	<b>NEW CRANKCASE BASE KIT</b>
2.1	1		NUOVO BASAMENTO MONOBLOCCO	NEW CRANKCASE BASE
2.2	1		GUARNIZIONE BASAMENTO MONOBLOCCO	GASKET CRANKCASE-BASE
2.3	7		DADO AUTOBLOCC.M8 INOX	SELF-LOCKING NUT M8 INOX
2.4	7		RONDELLA Ø8	WASHER Ø8
2.5	1		VITE PRIGIONIERA M8X35 D00115	TIE ROD M8X35
2.6	6		VITE PRIGIONIERA M8X42-8.8	TIE ROD M8X42-8.8
2.7	1		GUARNIZIONE RAME 21,5X28X1,5	COPPER WASHER 21,5X28X1,5
2.8	1		TAPPO SCARICO OLIO	OIL DRAIN PLUG
2.9	1		RUBINETTO SCARICO OLIO	OIL DRAIN TAP
2.10	1		SENSORE LIVELLO OLIO	OIL LEVEL SWITCH
2.11	2		VISORE LIVELLO OLIO CON GUARNIZIONE	OIL LEVEL VIEWER WITH GASKET
<b>KIT3</b>	<b>1</b>	<b>36-00-033/R</b>	<b>KIT FLANGIA MONOBLOCCO</b>	<b>CRANKCASE FLANGE KIT</b>
3.1	1		FLANGIA MONOBLOCCO	CRANKCASE FLANGE
3.2	1		GUARNIZIONE FLANGIA MONOBLOCCO MCH36	GASKET CRANKCASE FLANGE
3.3	6		VITE TCEIZN M8X35-8.8	SCREW TCEIZN M8X35-8.8
3.4	1		SEEGER AK 40	SEEGER AK 40
3.5	1		PARAOLIO/ANELLO DI TENUTA A 40X55X7 NBR	OIL SPLASH GUARD A 40X55X7 NBR
3.6	1		O RING 2250 NBR90SH(63,22X1,78)	O RING 2250 NBR90SH(63,22X1,78)
3.7	1		FLANGIA LATO VENTOLA	FAN SIDE FLANGE
3.8	4		VITE AUTOFILETTANTE	SELF-TAPPING SCREW
<b>KIT4</b>	<b>1</b>	<b>36-00-041/R</b>	<b>KIT PULEGGIA VENTOLA</b>	<b>FAN PULLEY KIT</b>
4.1	1		PULEGGIA VENTOLA DI RAFFREDDAMENTO	PULLEY COOLING FAN
4.2	1		RONDELLA PULEGGIA VENTOLA	FAN PULLEY WASHER
4.3	1		RONDELLA PIANA M13 ZINCATA	WASHER PLANT M13
4.4	1		VITE T.E. INOX 10x45	SCREW INOX 10x45
4.5	12		VITE T.C.E. ZINC. 6X16 DIN912	SCREW T.C.E. ZINC. 6X16 DIN912
4.6	12		RONDELLA Ø6	WASHER Ø6
4.7	18		PALA VENTOLA	FAN BLADE
4.8	6		STAFFA PALE VENTOLA	FAN BLADE STAY
<b>KIT5</b>	<b>1</b>	<b>36-00-043/R</b>	<b>KIT PALA VENTOLA NUOVA</b>	<b>NEW FAN BLADE KIT</b>
5.1	3		PALA VENTOLA NUOVA	NEW FAN BLADE
5.2	1		STAFFA PALE VENTOLA	FAN BLADE STAY

\* = Il kit comprende una staffa e 3 pale gialle nuove, per la sostituzione completa bisogna ordinare 6 kit

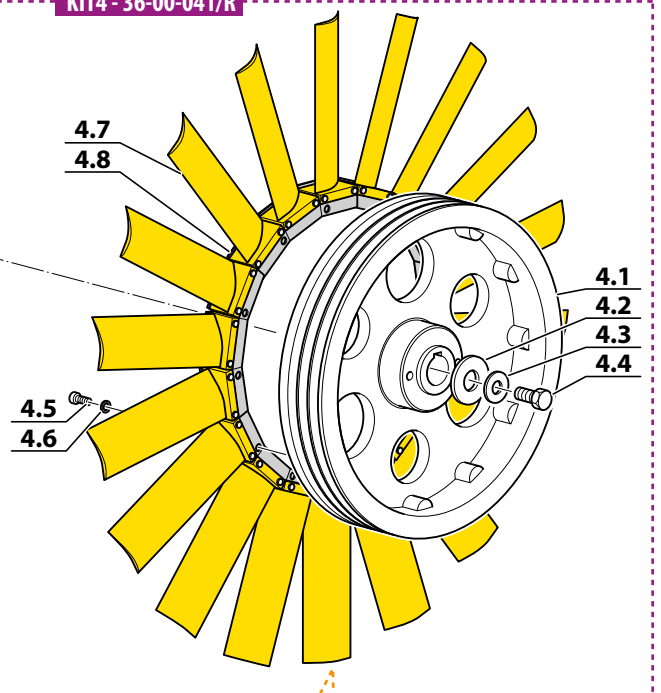
\* = The kit includes a bracket and 3 new yellow fan blade, for complete replacing must order 6 kits

### MONOBLOCCO - CRANKCASE ASSEMBLY

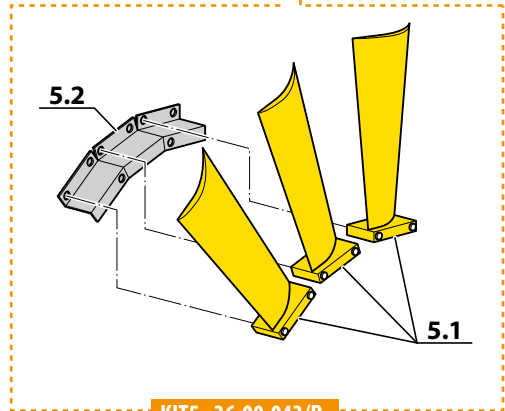
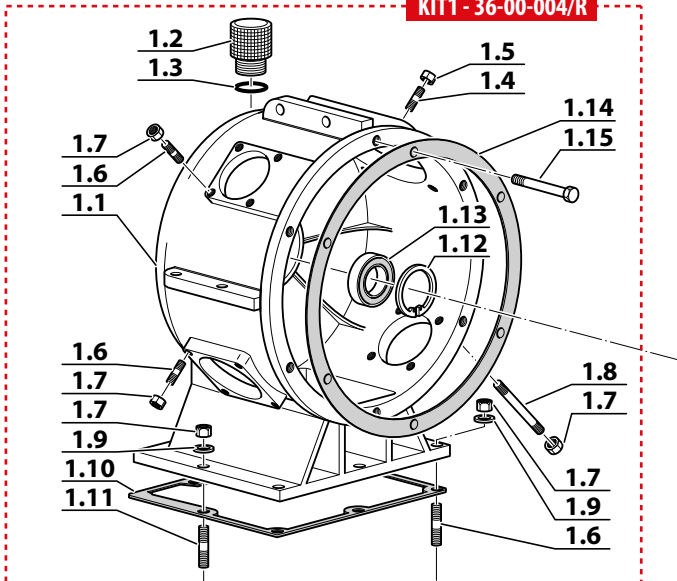
**KIT3 - 36-00-033/R**



**KIT4 - 36-00-041/R**

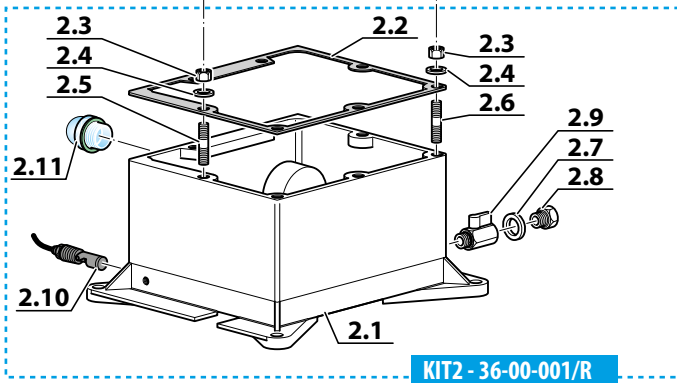


**KIT1 - 36-00-004/R**



**KIT5 - 36-00-043/R**

**KIT2 - 36-00-001/R**

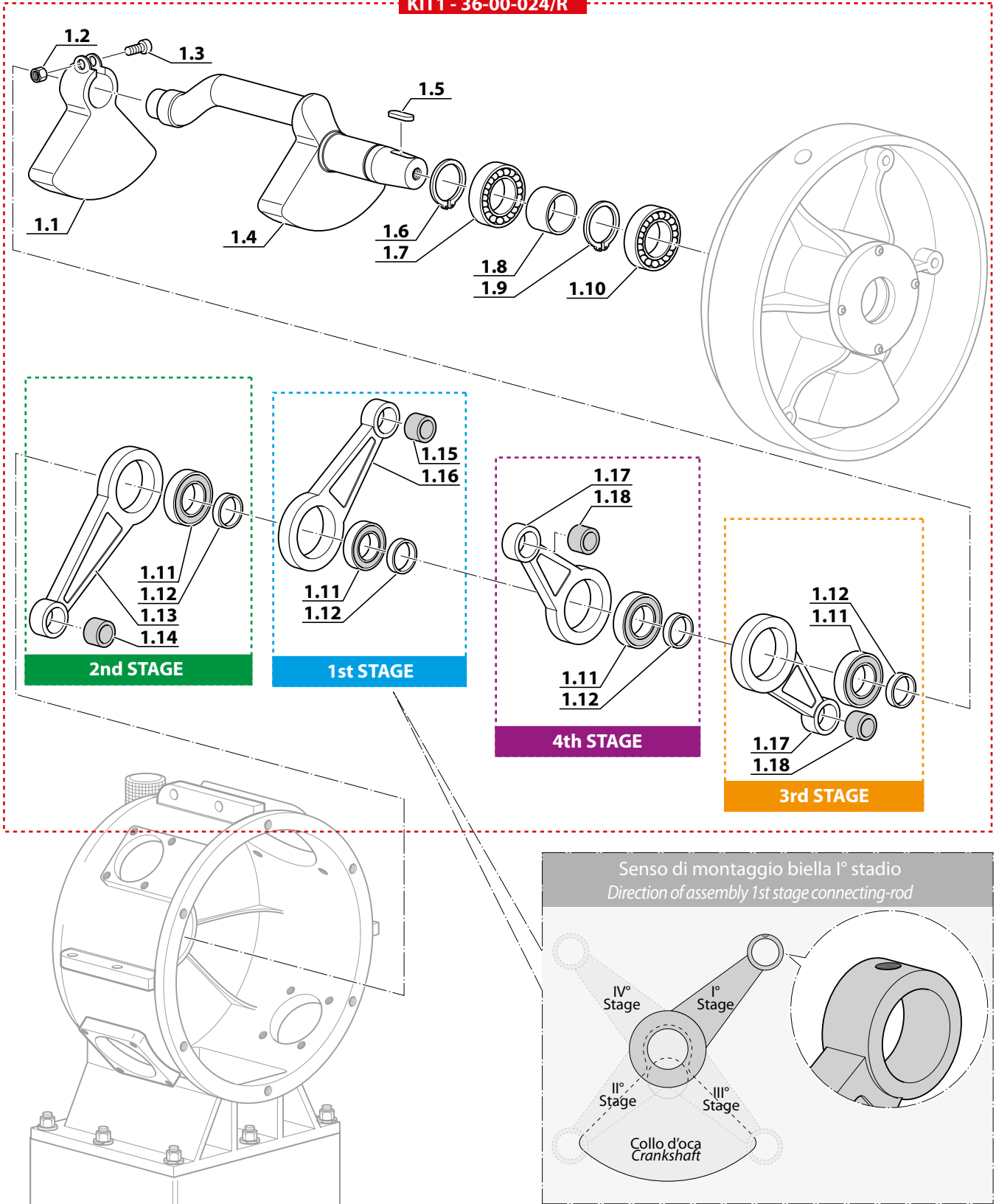


**COLLO D'OCA - CRANKSHAFT**

RIF. POS.	Q.TÀ Q.TY	CODICE CODE	DESCRIZIONE	DESCRIPTION
KIT1	1	36-00-024/R	KIT COLLO D'OCA + BIELLE	CRANKSHAFT + CONNECTING ROD KIT
1.1	1		CONTRAPPESO	COUNTERWEIGHT
1.2	1		DADO M8	NUT Ø8
1.3	1		VITE TCEIZN M8X65-8.8	SCREW TCEIZN M8X65-8.8
1.4	1		COLLO D'OCA	CRANKSHAFT
1.5	1		LINGUETTA	SPLINE
1.6	1		SEEGER	SNAP RING
1.7	1		CUSCINETTO N308 EC	BEARING N308 EC
1.8	1		DISTANZIALE COLLO D'OCA	CRANKSHAFT SPACER
1.9	1		SEEGER	SNAP RING
1.10	1		CUSCINETTO NUP208 EC	BEARING NUP208 EC
1.11	4		CUSCINETTO BIELLA NUP206 EC/C4	CONNECTING ROD BEARING NUP206 EC/C4
1.12	4		RALLA 30X42X0,5 MCH36	FIFTH WHEEL 30X42X0,5 MCH36
1.13	1		BIELLA 2°STADIO MCH-36	2ND STAGE CONNECTING ROD MCH-36
1.14	1		CUSCINETTO SPINOTTO BIELLA 2°STADIO	2ND STAGE CONNECTING ROD PIN BEARING
1.15	1		CUSCINETTO SPINOTTO BIELLA 1°STADIO	1ST STAGE CONNECTING ROD PIN BEARING
1.16	1		BIELLA 1° STADIO MCH-36	1ST STAGE CONNECTING ROD MCH-36
1.17	2		BIELLA 3°/4°STADIO	3RD/4TH STAGE CONNECTING ROD
1.18	2		CUSCINETTO SPINOTTO BIELLA 3°/4°STADIO	3RD/4TH STAGE CONNECTING ROD PIN BEARING

**COLLO D'OCA - CRANKSHAFT**

**KIT1 - 36-00-024/R**

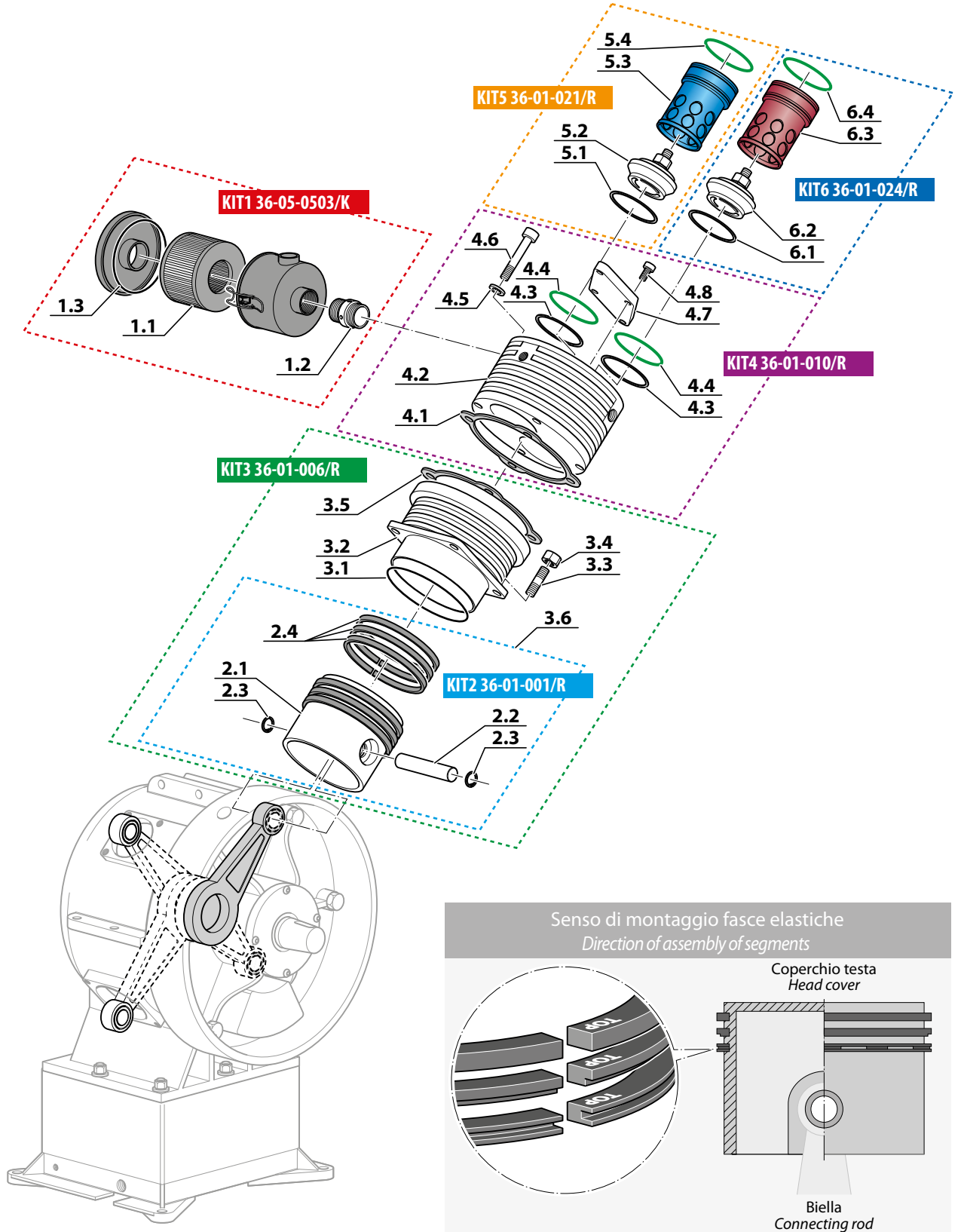


## 1° STADIO - 1<sup>st</sup> STAGE

RIF. POS.	Q.TÀ Q.TY	CODICE CODE	DESCRIZIONE	DESCRIPTION
<b>KIT1</b>	<b>1</b>	<b>36-05-0503/K</b>	<b>KIT FILTRO ASPIRAZIONE</b>	<b>KIT INTAKE FILTER</b>
1.1	1	36-05-0504	CARTUCCIA FILTRO ASPIRAZIONE	INTAKE FILTER CARTRIDGE
1.2	1		MANICOTTO FILTRO ASPIRAZIONE	INTAKE FILTER PIPE
1.3	1		O-RING FILTRO ASPIRAZIONE MCH-30-36	O-RING INTAKE FILTER MCH-30-36
<b>KIT2</b>	<b>1</b>	<b>36-01-001/R</b>	<b>KIT PISTONE 1° STADIO MCH36 130MM</b>	<b>KIT 1ST STAGE PISTON 130MM</b>
2.1	1		PISTONE 1° STADIO DIAM.130	1ST STAGE PISTON 130MM
2.2	1		SPINOTTO PISTONE 1° ST B20X13X102X1 130MM	1ST STAGE PISTON PIN 130MM MCH36
2.3	2		SEEGER/ANELLO ELAST.SPIN.PIST.	SEEGER RETAINING RING
2.4	1	36-01-004	SERIE N°3 SEGMENTI PISTONE 130MM	1ST STAGE PISTON RINGS (3) 130MM MCH36
<b>KIT3</b>	<b>1</b>	<b>36-01-006/R</b>	<b>KIT CILINDRO 1° STADIO DIAM.130 MCH 36</b>	<b>1ST STAGE CYLINDER 130MM KIT</b>
3.1	1		O-RING 2525 NBR90SH(133,10X1,78)	O-RING 2525 NBR90SH(133,10X1,78)
3.2	1		CILINDRO 1° STADIO DIAM.130 MCH 36	1ST STAGE CYLINDER 130MM
3.3	4		VITE PRIGIONIERA M10X40-8.8	STUD SCREW M10X40-8.8
3.4	4		DADO M10 AUTOBLOCCANTE	NUT M10
3.5	1		GUARNIZIONE TESTA 1° ST. DIAM 130MM	HEAD GASKET 1ST STAGE M-36 130MM
3.6	1		KIT PISTONE 1° STADIO MCH36 130MM	KIT 1ST STAGE PISTON 130MM
<b>KIT4</b>	<b>1</b>	<b>36-01-010/R</b>	<b>KIT TESTATA 1°STADIO MCH-36</b>	<b>1ST STAGE HEAD MCH-36 KIT</b>
4.1	1		GUARNIZIONE TESTA 1° ST. DIAM 130MM	HEAD GASKET 1ST STAGE M-36 130MM
4.2	1		TESTATA 1°STADIO	1ST STAGE HEAD
4.3	2		RONDELLA RAME 65X70X1	COPPER WASHER 65X70X1
4.4	2		O-RING 3256 VITON90SH VERDE (64,77X2,62)	O-RING 3256 VITON90SH GREEN (64,77X2,62)
4.5	4		RONDELLA M10 INOX DIN125	WASHER M10 INOX DIN125
4.6	4		VITE T.C.E. INOX 10X120 DIN912	SCREW T.C.E. INOX 10X120 DIN912
4.7	1		COPERCHIO CAMPANE VALVOLE 1°STADIO	1ST STAGE VALVES BELLS COVER
4.8	4		VITE TCEIZN M10X35-8.8	SCREW TCEIZN M10X35-8.8
<b>KIT5</b>	<b>1</b>	<b>36-01-021/R</b>	<b>KIT VALVOLA ASPIRAZIONE 1°STADIO</b>	<b>1ST STAGE INTAKE VALVE KIT</b>
5.1	1		RONDELLA RAME 65X70X1	COPPER WASHER 65X70X1
5.2	1	36-01-021	VALVOLA ASPIRAZIONE 1°STADIO	1ST STAGE INTAKE VALVE
5.3	1		CAMPANA VALVOLA ASPIRAZIONE 1°STADIO	1ST STAGE INTAKE VALVE BELL
5.4	1		O-RING 3256 VITON90SH VERDE (64,77X2,62)	O-RING 3256 VITON90SH GREEN (64,77X2,62)
<b>KIT6</b>	<b>1</b>	<b>36-01-024/R</b>	<b>KIT VALVOLA SCARICO 1°STADIO</b>	<b>1ST STAGE DISCHARGE VALVE KIT</b>
6.1	1		RONDELLA RAME 65X70X1	COPPER WASHER 65X70X1
6.2	1	36-01-024	VALVOLA SCARICO 1°STADIO	1ST STAGE DISCHARGE VALVE
6.3	1		CAMPANA VALVOLA SCARICO 1°STADIO	1ST STAGE DISCHARGE VALVE BELL
6.4	1		O-RING 3256 VITON90SH VERDE (64,77X2,62)	O-RING 3256 VITON90SH GREEN (64,77X2,62)



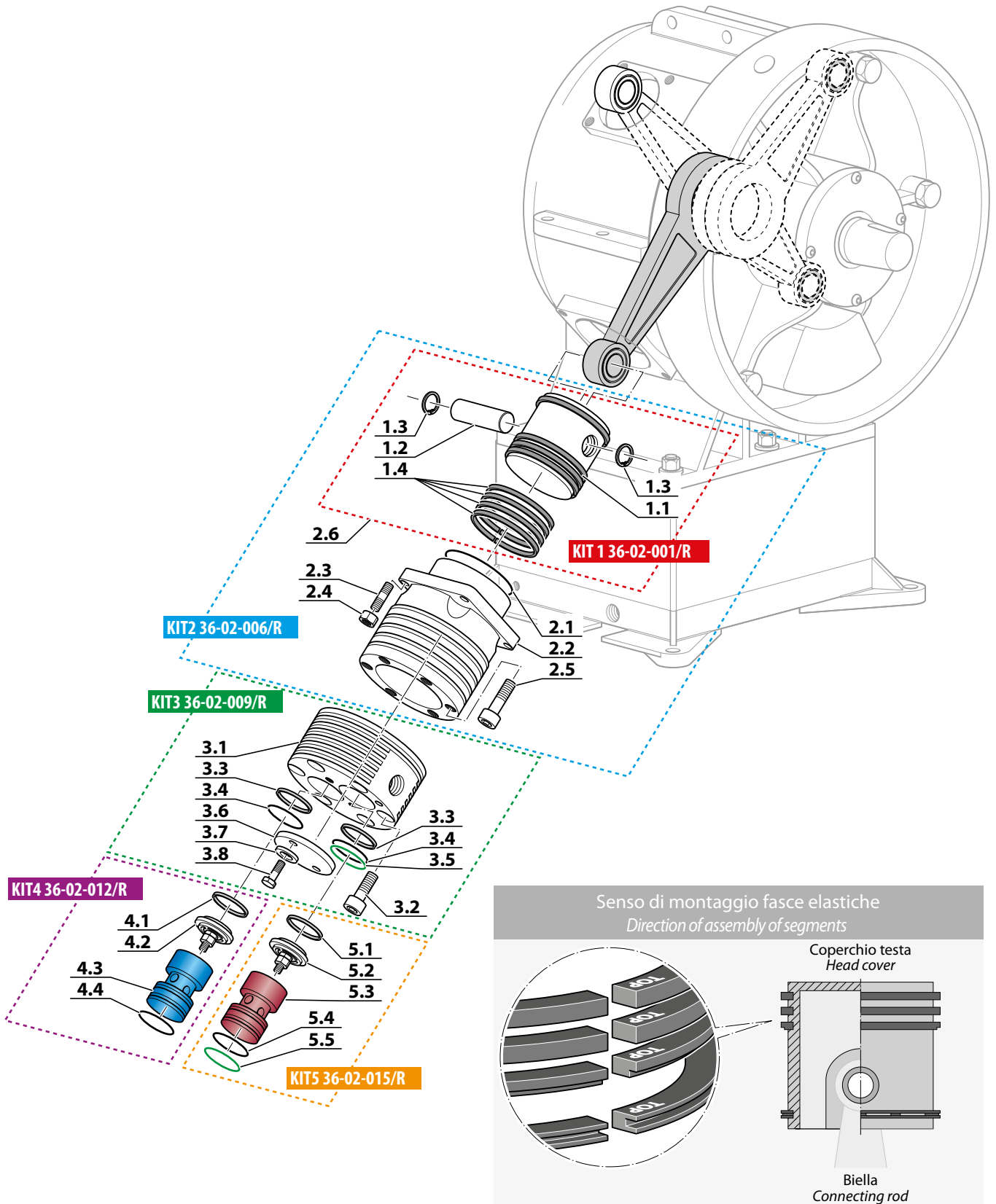
**1° STADIO - 1<sup>st</sup> STAGE**



## 2° STADIO - 2<sup>nd</sup> STAGE

RIF. POS.	Q.TÀ Q.TY	CODICE CODE	DESCRIZIONE	DESCRIPTION
<b>KIT1</b>	<b>1</b>	<b>36-02-001/R</b>	<b>KIT PISTONE 2° STADIO</b>	<b>KIT 2ND STAGE PISTON</b>
1.1	1		PISTONE 2° STADIO DIAM.60 6034	2ND STAGE PISTON 60MM MCH36
1.2	1		SPINOTTO PISTONE 2°STADIO	2ND STAGE PISTON PIN
1.3	2		SEEGER	SNAP RING
1.4	4	36-02-004	SERIE N°4 SEGMENTI PISTONE 2°STADIO	SERIES N°4 SEGMENTS 2ND STAGE PISTON
<b>KIT2</b>	<b>1</b>	<b>36-02-006/R</b>	<b>KIT CILINDRO 2°STADIO</b>	<b>2ND STAGE CYLINDER KIT</b>
2.1	1		O-RING 2275 NBR90SH (69.57X1.78)	O-RING 2275 NBR90SH (69.57X1.78)
2.2	1		CILINDRO 2° STADIO Ø60 MCH-36	2ND STAGE CYLINDER Ø60 MCH-36
2.3	4		VITE PRIGIONIERA M8X42-8.8	STUD SCREW M8X42-8.8
2.4	4		DADO INOX M8 AUTOBLOCCANTE	NUT M8 INOX
2.5	6		VITE T.C.E. ZINCATA 8X30	SCREW T.C.E. ZINCATA 8X30
2.6	1		KIT PISTONE 2° STADIO	KIT 2ND STAGE PISTON
<b>KIT3</b>	<b>1</b>	<b>36-02-009/R</b>	<b>KIT TESTATA 2°/3°STADIO</b>	<b>2ND/3RD STAGE HEAD KIT</b>
3.1	1		TESTATA 2°/3°STADIO	2ND/3RD STAGE HEAD
3.2	6		VITE T.C.E. ZINCATA 8X30	SCREW T.C.E. ZINCATA 8X30
3.3	2		RONDELLA RAME 28X34X1	COPPER WASHER 28X34X1
3.4	2		O-RING 4112 VITON90SH (28.17X3.53)	O-RING 4112 VITON90SH (28.17X3.53)
3.5	1		O RING 2112 VITON 90SH VERDE	O RING 2112 VITON 90SH GREEN
3.6	1		COPERCHIO CAMPANE VALVOLE 2°/3°STADIO	2ND/3RD STAGEVALVES BELL COVER
3.7	2		RONDELLA M10 INOX DIN125	WASHER M10 INOX DIN125
3.8	2		VITE T.E. INOX 10X35 DIN933	SCREW T.E. INOX 10X35 DIN933
<b>KIT4</b>	<b>1</b>	<b>36-02-012/R</b>	<b>KIT VALVOLA ASPIRAZIONE 2°STADIO</b>	<b>2ND STAGE INTAKE VALVE KIT</b>
4.1	1		RONDELLA RAME 28X34X1	COPPER WASHER 28X34X1
4.2	1	36-02-012	VALVOLA ASPIRAZIONE 2°STADIO	2ND STAGE INTAKE VALVE
4.3	1		CAMPANA VALVOLA ASPIRAZIONE 2°/3°STADIO	2ND/3RD STAGE INTAKE VALVE BELL
4.4	1		O-RING 4112 VITON90SH (28.17X3.53)	O-RING 4112 VITON90SH (28.17X3.53)
<b>KIT5</b>	<b>1</b>	<b>36-02-015/R</b>	<b>KIT VALVOLA SCARICO 2°STADIO</b>	<b>2ND STAGE DISCHARGE VALVE KIT</b>
5.1	1		RONDELLA RAME 28X34X1	COPPER WASHER 28X34X1
5.2	1	36-02-015	VALVOLA SCARICO 2°STADIO	2ND STAGE DISCHARGE VALVE
5.3	1		CAMPANA VALVOLA SCARICO 2°/3°STADIO	2ND/3RD STAGE DISCHARGE VALVE BELL
5.4	1		O-RING 4112 VITON90SH (28.17X3.53)	O-RING 4112 VITON90SH (28.17X3.53)
5.5	1		O RING 2112 VITON 90SH VERDE	O RING 2112 VITON 90SH GREEN

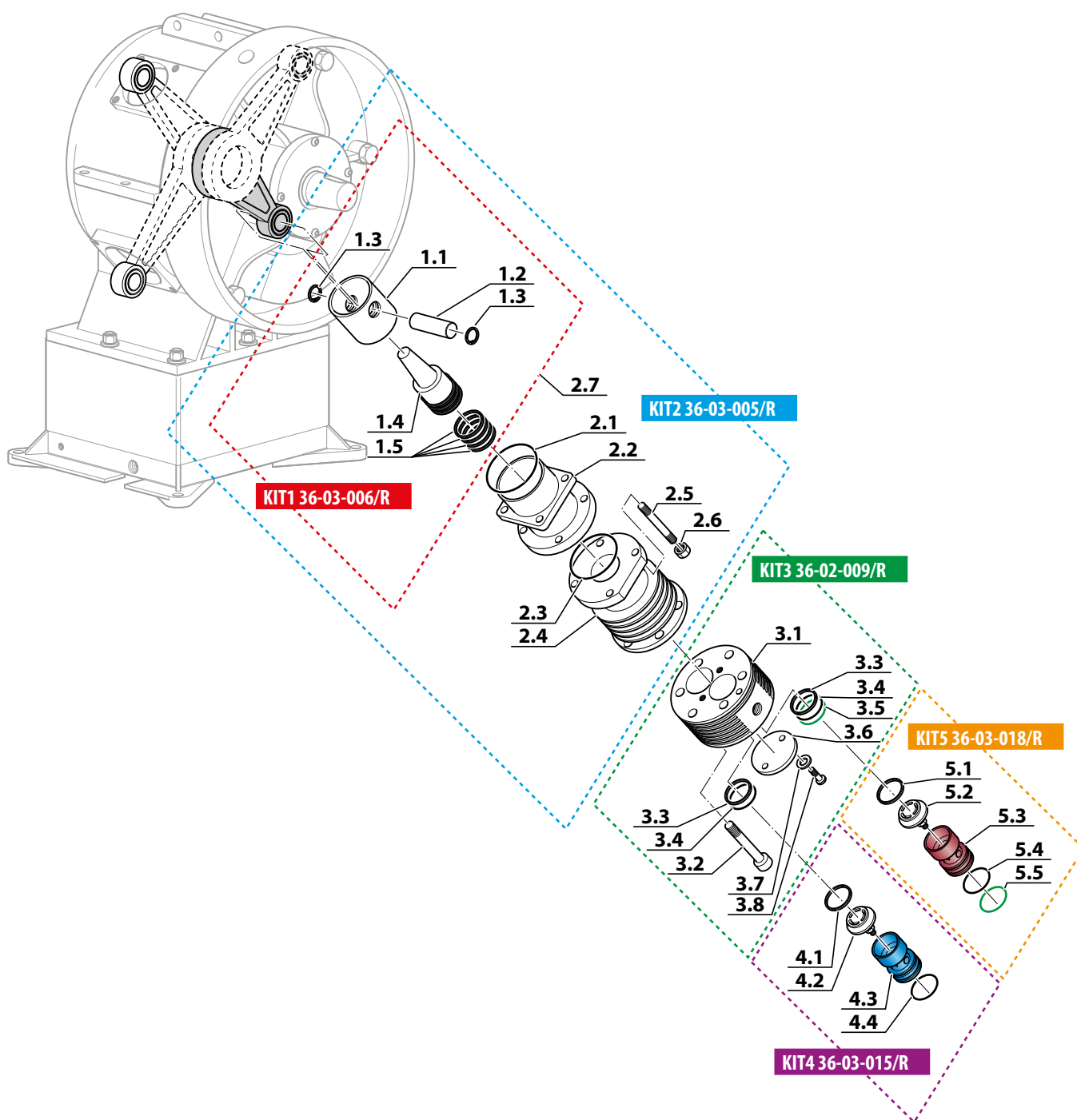
**2° STADIO - 2<sup>nd</sup> STAGE**



### 3° STADIO - 3<sup>rd</sup> STAGE

RIF. POS.	Q.TÀ Q.TY	CODICE CODE	DESCRIZIONE	DESCRIPTION
<b>KIT1</b>	<b>1</b>	<b>36-03-006/R</b>	<b>KIT PATTINO+PISTONE 3° STADIO MCH36</b>	<b>KIT 3RD STAGE PAD+PISTON MCH36</b>
1.1	1		PATTINO 3°/4°STADIO Ø60 MCH36	3RD/4TH STAGE PAD Ø60 MCH36
1.2	1		SPINOTTO PISTONE 3°/4° STADIO B22X48 PIENO	3RD/4TH STAGE PISTON PIN B22X48
1.3	2		SEEGER	SNAP RING
1.4	1		PISTONE 3° STADIO Ø32 MCH36 P32516	3RD STAGE PISTON Ø32 MCH36
1.5	1	36-03-007	SERIE N°4 SEGMENTI PISTONE 3°STADIO	SERIES N°4 SEGMENTS 3RD STAGE PISTON
<b>KIT2</b>	<b>1</b>	<b>36-03-005/R</b>	<b>KIT CILINDRO GUIDA 3° STADIO Ø60 MCH36</b>	<b>KIT 3RD STAGE GUIDE CYLINDER Ø60 MCH36</b>
2.1	1		O-RING 2275 NBR90SH (69.57X1.78)	O-RING 2275 NBR90SH (69.57X1.78)
2.2	1		CILINDRO GUIDA 3° STADIO Ø60 MCH36	3RD STAGE GUIDE CYLINDER Ø60 MCH36
2.3	1		O-RING 3237 NBR90SH (60.00X2.62)	O-RING 3237 NBR90SH (60.00X2.62)
2.4	1		CILINDRO 3° STADIO Ø32 MCH36	3RD STAGE CYLINDER Ø32 MCH36
2.5	4		VITE PRIGIONIERA M8X90-8.8	STUD SCREW M8X90-8.8
2.6	4		DADO INOX M8 AUTOBLOCCANTE	NUT M8 INOX
2.7	1		KIT PATTINO 3°/4° STADIO Ø60 MCH36	KIT 3RD/4TH STAGE PAD Ø60 MCH36
<b>KIT3</b>	<b>1</b>	<b>36-02-009/R</b>	<b>KIT TESTATA 2°/3°STADIO</b>	<b>KIT 2ND/3RD STAGE HEAD</b>
3.1	1		TESTATA 2°/3°STADIO	2ND/3RD STAGE HEAD
3.2	6		VITE T.C.E. ZINCATA 8X30	SCREW T.C.E. ZINCATA 8X30
3.3	2		RONDELLA RAME 28X34X1	COPPER WASHER 28X34X1
3.4	2		O-RING 4112 VITON90SH (28.17X3.53)	O-RING 4112 VITON90SH (28.17X3.53)
3.5	1		O RING 2112 VITON 90SH VERDE (28.3 X 1.78)	O RING 2112 VITON 90SH GREEN (28.3 X 1.78)
3.6	1		COPERCHIO CAMPANE VALVOLE 2°/3°STADIO	2ND/3RD STAGEVALVES BELL COVER
3.7	2		RONDELLA M10 INOX DIN125	WASHER M10 INOX DIN125
3.8	2		VITE T.E. INOX 10X35 DIN933	SCREW T.E. INOX 10X35 DIN933
<b>KIT4</b>	<b>1</b>	<b>36-03-015/R</b>	<b>KIT VALV. ASPIRAZ. 3°ST HOERBIGER 34-137753-AN</b>	<b>KIT 3RD STAGE INTAKE VALVE HOERBIGER 34-137753-AN</b>
4.1	1		RONDELLA RAME 28X34X1	COPPER WASHER 28X34X1
4.2	1	36-03-015	VALV. ASPIRAZ. 3°STADIO	3RD STAGE INTAKE VALVE
4.3	1		CAMPANA VALVOLA ASPIRAZIONE 2°/3°STADIO	2ND/3RD STAGE INTAKE VALVE BELL
4.4	1		O-RING 4112 VITON90SH (28.17X3.53)	O-RING 4112 VITON90SH (28.17X3.53)
<b>KIT5</b>	<b>1</b>	<b>36-03-018/R</b>	<b>KIT VALV. SCARICO 3°ST HOERBIGER 39-137754-AN</b>	<b>KIT 3RD STAGE DISCHARGE VALVE HOERBIGER 39-137754-AN</b>
5.1	1		RONDELLA RAME 28X34X1	COPPER WASHER 28X34X1
5.2	1	36-03-018	VALV. SCARICO 3°STADIO	3RD STAGE DISCHARGE VALVE
5.3	1		CAMPANA VALVOLA SCARICO 2°/3°STADIO	2ND/3RD STAGE DISCHARGE VALVE BELL
5.4	1		O-RING 4112 VITON90SH (28.17X3.53)	O-RING 4112 VITON90SH (28.17X3.53)
5.5	1		O RING 2112 VITON 90SH VERDE (28.3 X 1.78)	O RING 2112 VITON 90SH GREEN (28.3 X 1.78)

**3° STADIO - 3<sup>rd</sup> STAGE**



### 4° STADIO - 4<sup>th</sup> STAGE

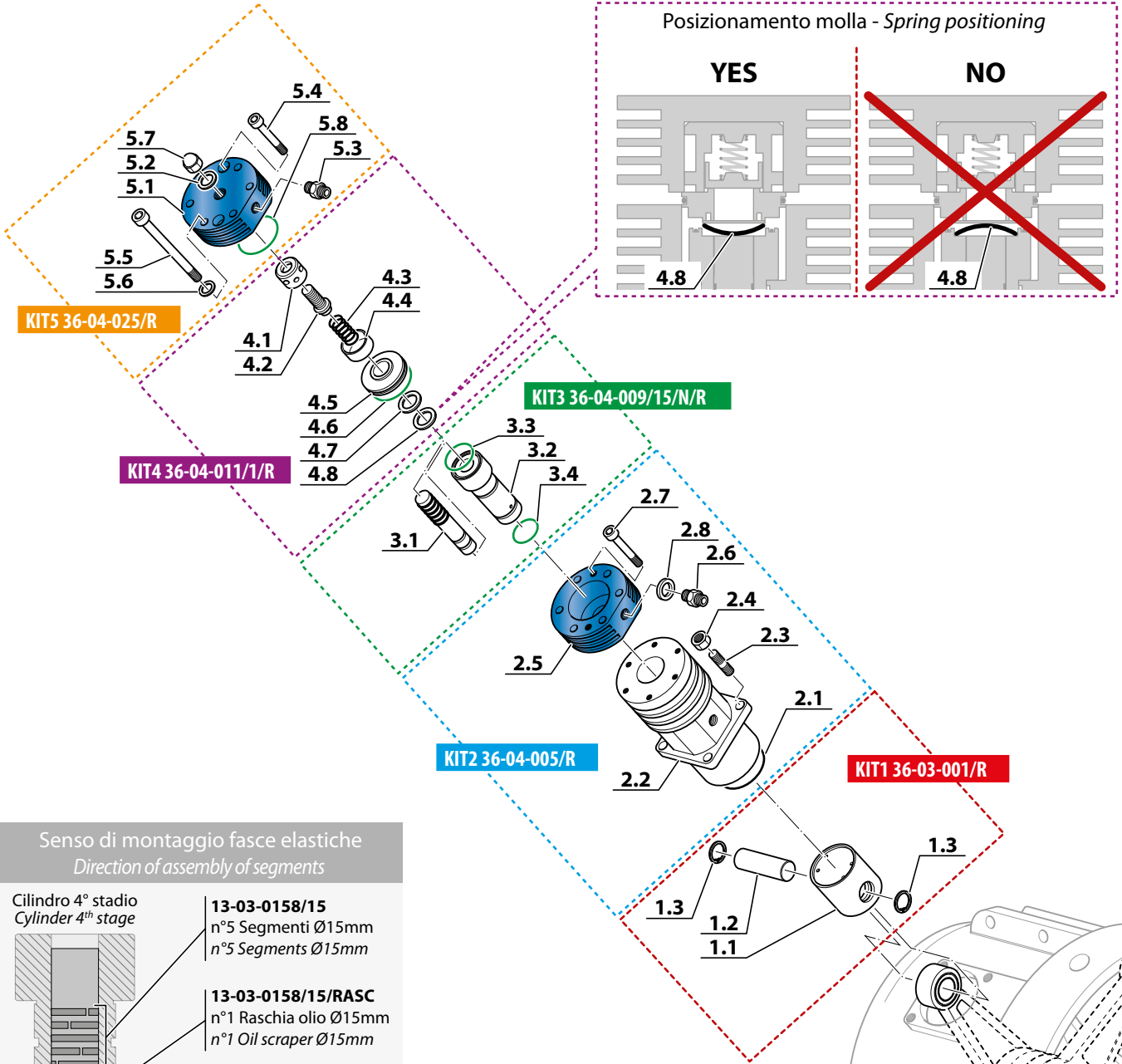
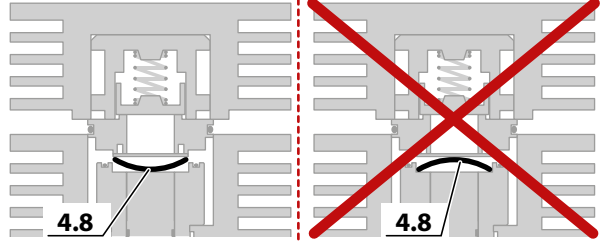
RIF. POS.	Q.TÀ Q.TY	CODICE CODE	DESCRIZIONE	DESCRIPTION
<b>KIT1</b>	<b>1</b>	<b>36-03-001/R</b>	<b>KIT PATTINO 3°/4° STADIO Ø60 MCH36</b>	<b>KIT 3RD/4TH STAGE PAD Ø60 MCH36</b>
1.1	1		PATTINO 3°/4°STADIO Ø60 MCH36	3RD/4TH STAGE PAD Ø60 MCH36
1.2	1		SPINOTTO PISTONE 3°/4° STADIO B22X48 PIENO	3RD/4TH STAGE PISTON PIN B22X48
1.3	2		SEEGER	SNAP RING
<b>KIT2</b>	<b>1</b>	<b>36-04-005/R</b>	<b>KIT CILINDRO GUIDA 4°STADIO</b>	<b>KIT 4TH STAGE CYLINDER</b>
2.1	1		O-RING 2275 NBR90SH (69.57X1.78)	O-RING 2275 NBR90SH (69.57X1.78)
2.2	1		CILINDRO GUIDA 4°STADIO	4TH STAGE CYLINDER
2.3	4		VITE PRIGIONIERA M8X42-8.8	STUD SCREW M8X42-8.8
2.4	4		DADO INOX M8 AUTOBLOCCANTE	NUT M8 INOX
2.5	1		TESTATA 4° STADIO MCH-36 ASPIRAZIONE	SUCTION 4TH STAGE HEAD
2.6	1		RACCORDO ERMETO G3/8 M18x1,5 TUBO Ø12	FITTING ERMETO G3/8 M18x1,5 TUBE Ø12
2.7	2		VITE T.C.E. ZINC. 6X40 DIN912	SCREW T.C.E. ZINC. 6X40 DIN912
2.8	1		RONDELLA RAME 3/8 (17X23X1.5)	COPPER WASHER 3/8 (17X23X1.5)
<b>KIT3</b>	<b>1</b>	<b>36-04-009/15/N/R</b>	<b>KIT CILINDRO 4° ST. Ø15 MCH-36 NUOVO</b>	<b>KIT NEW 4TH STAGE CYLINDER Ø15</b>
3.1	1		PISTONE 4°STADIO Ø15 MCH-36 CON SEGMENTI	4TH STAGE PISTON Ø15 MCH-36 WITH PISTON RINGS
3.2	1		CILINDRO 4° ST. Ø15 MCH-36 NUOVO	NEW 4TH STAGE CYLINDER Ø15
3.3	1		O-RING 2106 VITON 90 SH VERDE (26,7X1,78)	O-RING 2106 VITON 90 SH GREEN (26,7X1,78)
3.4	1		O-RING 2081 VITON 90 SH VERDE (20.35X1.78)	O-RING 2081 VITON 90 SH GREEN (20.35X1.78)
<b>KIT4</b>	<b>1</b>	<b>36-04-011/1/R</b>	<b>KIT VALVOLA TESTA 4° ST. MCH36</b>	<b>KIT VALVE HEAD 4° ST. MCH36</b>
4.1	1		BUSSOLA GUIDA VALVOLA SCARICO 4° ST. MCH36	GUIDE BUSH DISCHARGE VALVE 4° ST. MCH36
4.2	1		VITE A TESTA CILINDRICA RIBASSATA M8X25 DIN 7984	LOWERED CYLINDRICAL HEAD SCREW M8X25 DIN 7984
4.3	1		MOLLA INOX Ø11X8,6 L. 18,5 FILO 1,2 4° ST. MCH-36	SPRING INOX Ø11X8,6 L. 18,5 FILO 1,2 4° ST. MCH-36
4.4	1		PIATTELLO VALV. SCAR. TESTA 4° ST. MCH36	PLATE VALVE DISCHARGE HEAD 4° ST. MCH36
4.5	1		VALVOLA TESTA 4° ST. MCH36	HEAD VALVE 4° ST. MCH36
4.6	1		OR-3137 VITON 90SH (34.60X2.62)	OR-3137 VITON 90SH (34.60X2.62)
4.7	1		DISCO VALVOLA ASP. MCH36 (24X15,2X1)	SUCTION DISK VALVE MCH36 (24X15,2X1)
4.8	1		DISCO MOLLA INOX ASPIRAZIONE 4° ST. MCH-36	SPRING DISK INOX SUCTION 4 ST. MCH-36
<b>KIT5</b>	<b>1</b>	<b>36-04-025/R</b>	<b>KIT CALOTTA TESTA 4° STADIO MCH-36 NUOVA</b>	<b>KIT NEW 4TH STAGE HEAD COVER</b>
5.1	1		COPERCHIO TESTA 4° ST.MCH-36	4TH STAGE HEAD COVER
5.2	1		RONDELLA RAME M8 (8X14X1,5)	COPPER WASHER M8 (8X14X1,5)
5.3	1		RACCORDO OGIVA TUBO Ø8 - 1/4 NPT	FITTING OGIVE TUBO Ø8 - 1/4 NPT
5.4	2		VITE T.C.E. ZINC. 6X40 DIN912	SCREW T.C.E. ZINC. 6X40 DIN912
5.5	6		VITE T.C.E. ZINC. 8X90	SCREW T.C.E. ZINC. 8X90
5.6	6		RONDELLA PIANA ZINCATA M8 (8,5x14x1,5)	GALVANIZED FLAT WASHER M8 (8,5x14x1,5)
5.7	1		DADO INOX CIECO M8 DIN 1587	NUT INOX BLIND M8 DIN 1587
5.8	1		O-RING 2100 VITON 90 (25.12x1.78) VERDE	O-RING 2100 VITON 90 (25.12x1.78) GREEN

### 4° STADIO - 4<sup>th</sup> STAGE

Posizionamento molla - Spring positioning

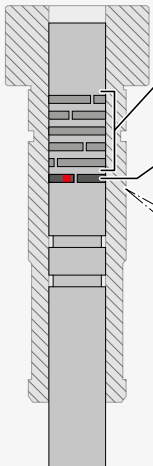
YES

NO



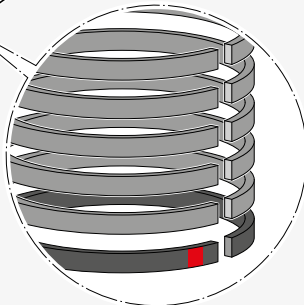
Senso di montaggio fasce elastiche  
Direction of assembly of segments

Cilindro 4° stadio  
Cylinder 4<sup>th</sup> stage



**13-03-0158/15**  
n°5 Segmenti Ø15mm  
n°5 Segments Ø15mm

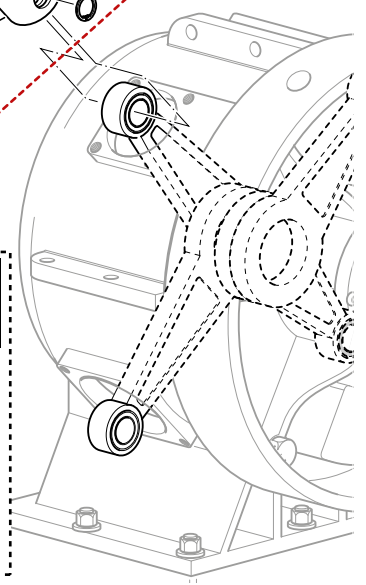
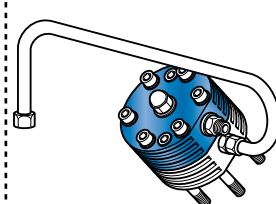
**13-03-0158/15/RASC**  
n°1 Raschia olio Ø15mm  
n°1 Oil scraper Ø15mm



Pistone 4° stadio  
Piston 4<sup>th</sup> stage

Raschia olio: lato rosso a sinistra  
Oil scraper: red side on the left

**36-04-035/N/R**  
Kit sostituzione nuova testa  
New head replacement kit



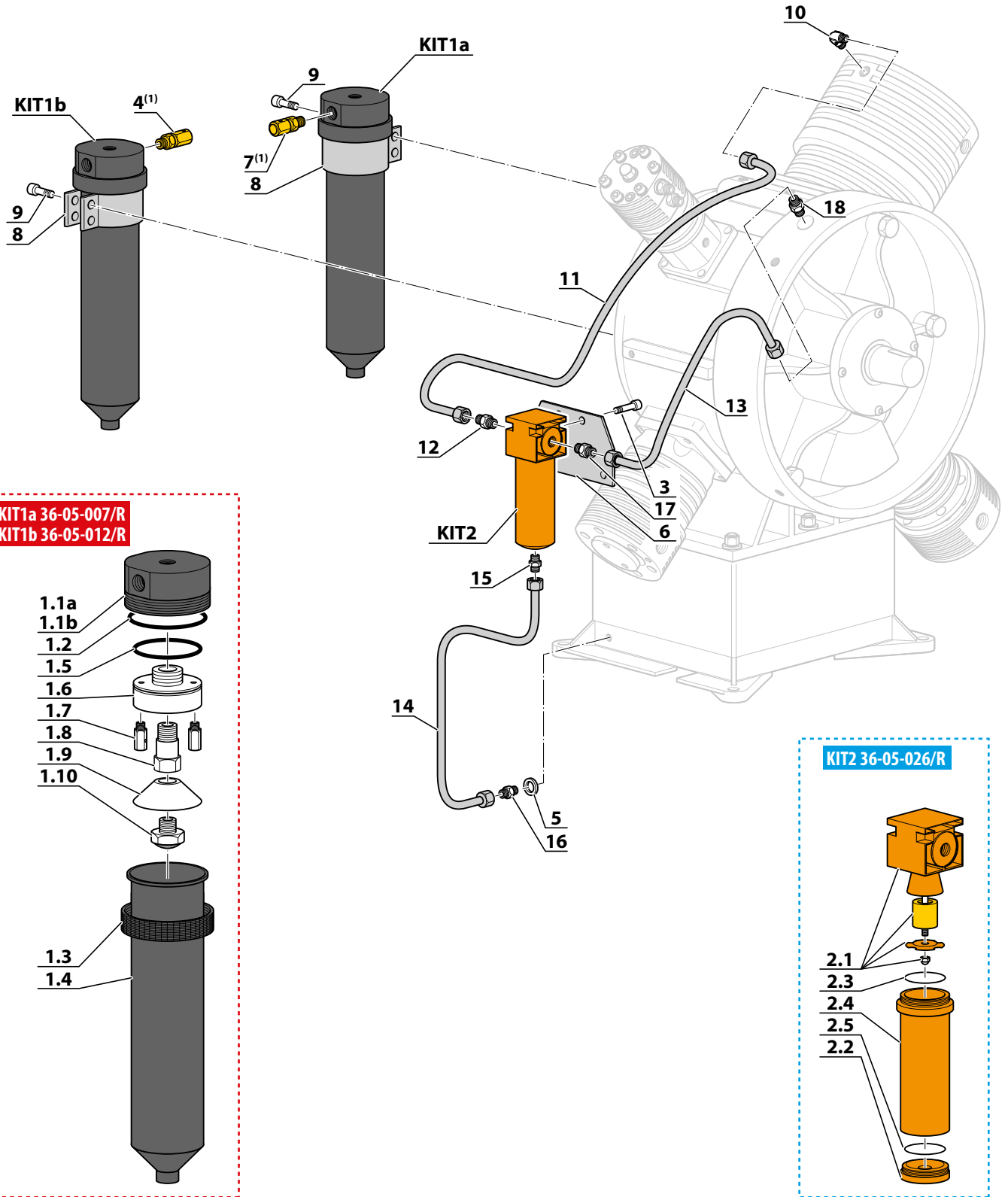


**SEPARATORI DI CONDENSA - CONDENSATE SEPARATOR**

RIF. POS.	Q.TÀ Q.TY	CODICE CODE	DESCRIZIONE	DESCRIPTION
KIT1a	1	36-05-007/R	SEPARATORE DI CONDENSA 2° STADIO	2ND STAGE CONDENSATE SEPARATOR
KIT1b	1	36-05-012/R	SEPARATORE DI CONDENSA 3° STADIO	3RD STAGE CONDENSATE SEPARATOR
1.1a	1		TAPPO SX SEPARATORE G1/2 2°STADIO	2ND STAGE G1/2 SEPARATOR LEFT PLUG
1.1b	1		TAPPO DX SEPARATORE G3/8 3°STADIO	3RD STAGE G3/8 SEPARATOR RIGHT PLUG
1.2	1		O-RING 2212 NBR90SH (53.67X1.78)MCH36	O-RING 2212 NBR90SH (53.67X1.78)MCH36
1.3	1		GHIERA SEPARATORE	SEPARATOR RING
1.4	1		TUBO INOX SEPARATORE CONDENSA	CONDENSATE SEPARATOR PIPE, STAINLESS
1.5	1		OR- 2150 (37,82X1,78) NBR90SH	OR- 2150 (37,82X1,78) NBR90SH
1.6	1		TAPPO INTERNO SEP. NUOVO MCH-13/16	MCH-13/16 SEPARATOR FITTING INTERNAL PLUG
1.7	2		DIFFUSORE SEPARATORE DI CONDENSA MCH13/16	NEW CONDENSATE SEPARATOR DIFFUSER MCH13/16
1.8	1		PROLUNGA TAPPO SCARICO OLIO MCH6	EXTENSION OIL DRAIN CAP MCH6
1.9	1		RONDELLA DIAM. 48 C/F D.13 IN ALL. SP. 1	D48 C/F D.13 IN ALL. SP. 1 WASHER
1.10	1		SILENZIATORE 1/4 E90A4003	SILENCER 1/4 E90A4003
KIT2	1	36-05-026/R	KIT SEPARATORE RECUPERO SFIATO	VENT RECOVERY SEPARATOR KIT
2.1	1		SEPARATORE RECUPERO SFIATO	VENT RECOVERY SEPARATOR
2.2	1		TAPPO SEPARATORE RECUPERO SFIATO	VENT RECOVERY SEPARATOR PLUG
2.3	1		O-RING	O-RING
2.4	1		BICCHIERE SEPARATORE RECUPERO SFIATO	VENT RECOVERY SEPARATOR CUP
			O-RING NBR 90 SH (29,9x1,78)	O-RING NBR 90 SH (29,9x1,78)
3	2	VITE0620	VITE T.C.E. ZINCATA M6x20 DIN912	SCREW T.C.E. ZINC. M6x20 DIN912
4	1	36-05-021	VALVOLA DI SICUREZZA 100BAR	SAFETY VALVE 100BAR
5	1	GUAR1319	GUARNIZIONE RAME 13,5X19X1,5	COPPER GASKET 13,5X19X1,5
6	1	36-05-047	SUPPORTO SEPARATORE RECUPERO SFIATO	VENT RECOVERY SEPARATOR SUPPORT
7	1	36-05-020	VALVOLA DI SICUREZZA 2°STADIO	2ND STAGE SAFETY VALVE
8	2	36-05-046	COLLARE SEPARATORE	SEPARATOR COLLAR
9	4	13-00-0048I	VITE TCEI M8X25-8.8 INOX	SCREW TCEI M8X25-8.8 INOX
10	1	36-05-023	RACCORDO 90° TUBO Ø12	FITTING 90° TUBE Ø12
11	1	36-05-024/P	TUBO RECUPERO SFIATO SEPARATORE	SEPARATOR VENT RECOVERY PIPE
12	1	13-02-0048E/X	RACCORDO G1/4 - M18X1,5 TUBO Ø12 INOX	FITTING G1/4 - M18X1,5 TUBE Ø12 INOX
13	1	36-05-030/P	TUBO RECUPERO SFIATO MONOBLOCCO	CRANKCASE VENT RECOVERY PIPE
14	1	36-05-028/SS/P	TUBO RECUPERO OLIO SFIATO	OIL VENT RECOVERY PIPE
15	1	13-00-0174E/X	RACCORDO OGIVA TUBO Ø6 M12X1,5 - 1/8 NPT	FITTING OGIVE TUBE Ø6 M12X1,5 - 1/8 NPT
16	1	13-00-0025E/X	RACCORDO ERMETO G1/4-12x1.5 TUBO Ø6	FITTING ERMETO G1/4-12x1.5 TUBE Ø6
17	1	36-05-147E	RACCORDO M16X1,5 - G1/4 TUBO Ø12	FITTING M16X1,5 - G1/4 TUBE Ø12
18	1	36-05-025	RACCORDO 1/4 NPT - TUBO Ø12	FITTING 1/4 NPT - TUBE Ø12



**SEPARATORI DI CONDENZA - CONDENSATE SEPARATOR**



**KIT1a 36-05-007/R**  
**KIT1b 36-05-012/R**

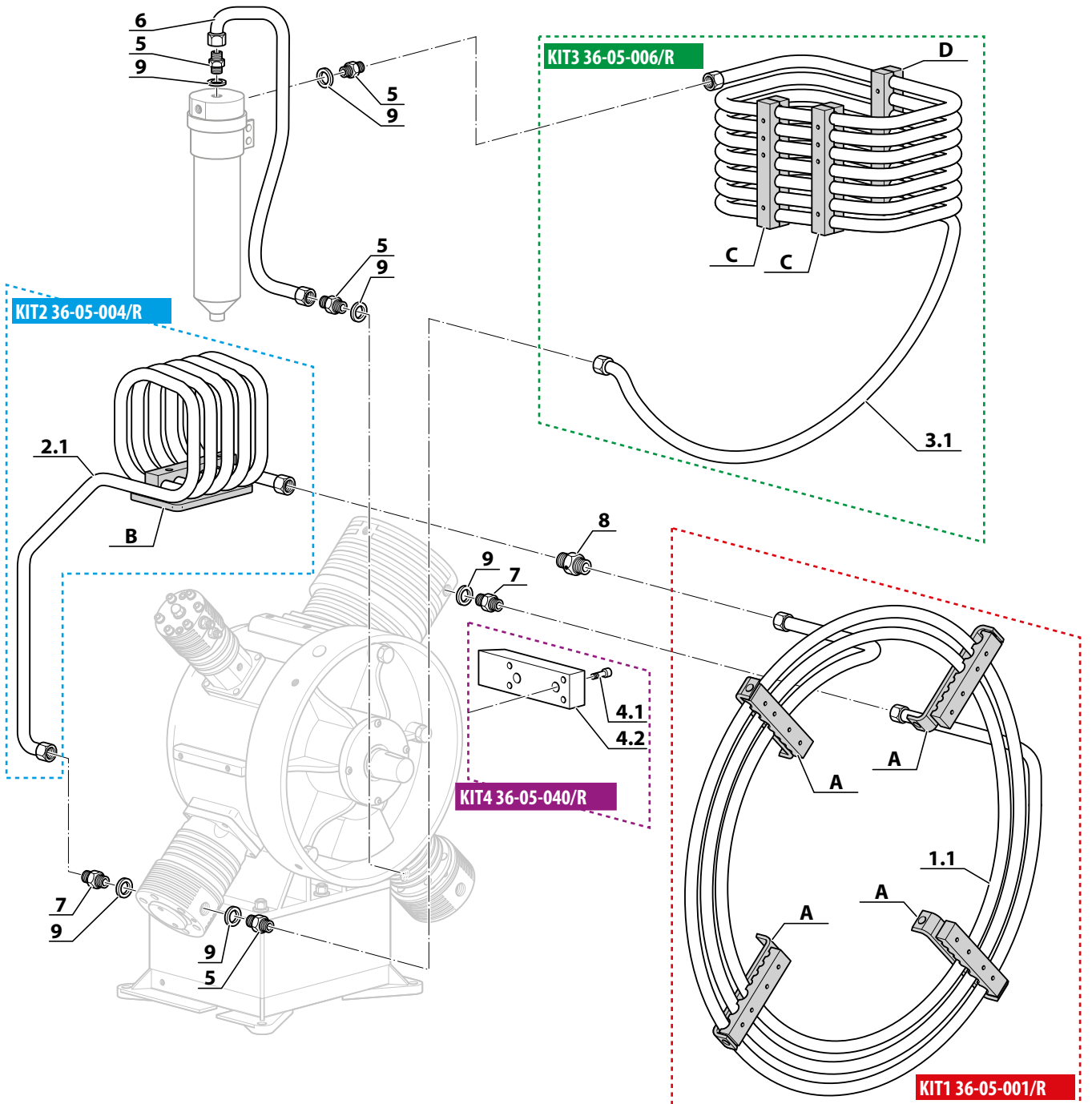
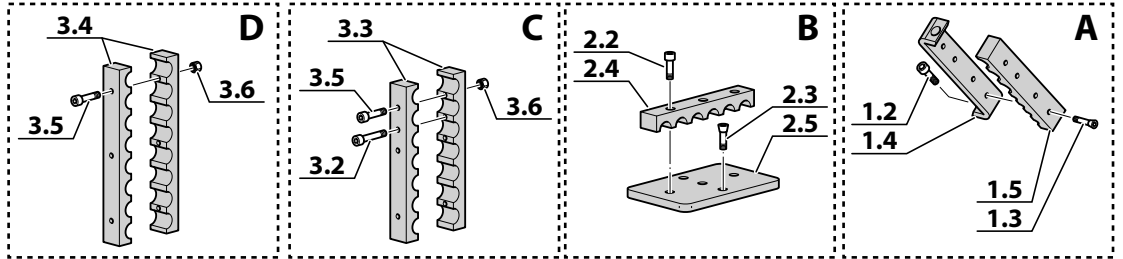
**KIT2 36-05-026/R**

4 - 7 <sup>(1)</sup> La valvola deve essere stretta con una coppia di serraggio di **20Nm** - The valve must be tightened with a torque of **20Nm**

**CIRCUITO DI PRESSIONE 1°/2° STADIO - 1<sup>st</sup>/2<sup>nd</sup> PRESSURE CIRCUIT**

RIF. POS.	Q.TÀ Q.TY	CODICE CODE	DESCRIZIONE	DESCRIPTION
<b>KIT1</b>	<b>1</b>	<b>36-05-001/R</b>	<b>KIT TUBO RAFFREDDAMENTO 1°STADIO (1°PARTE)</b>	<b>KIT 1ST STAGE COOLING PIPE (1ST PART)</b>
1.1	1		TUBO RAFFREDDAMENTO 1°STADIO (1°PARTE)	1ST STAGE COOLING PIPE (1ST PART)
1.2	4		VITE TCEI INOX M8X25	SCREW TCEI INOX M8X25
1.3	16		VITE TSPEIZN M8X35-10.9	SCREW TSPEIZN M8X35-10.9
1.4	4		STAFFA "L" TUBO RAFFREDDAMENTO 1°ST. (1°PARTE)	1ST STAGE (1ST PART) COOLING PIPE "L" BRACKET
1.5	4		STAFFA FERMATUBO Ø18 / Ø8	PIPE BRACKET Ø18 / Ø8
<b>KIT2</b>	<b>1</b>	<b>36-05-004/R</b>	<b>KIT TUBO RAFFREDDAMENTO 1°STADIO (2°PARTE)</b>	<b>KIT 1ST STAGE COOLING PIPE (2ND PART)</b>
2.1	1		TUBO RAFFREDDAMENTO 1°STADIO (2°PARTE)	1ST STAGE COOLING PIPE (2ND PART)
2.2	3		VITE TCEIZN M8X35-8.8	SCREW TCEIZN M8X35-8.8
2.3	2		VITE ZINC.8X30 DIN 7993	SCREW ZINC.8X30
2.4	1		STAFFA FERMATUBO Ø18 SEI VIE	PIPE BRACKET Ø18 SIX-WAY
2.5	1		SUPPORTO TUBO RAFFREDDAMENTO 1°ST. (2°PARTE)	1ST STAGE (2ND PART) COOLING PIPE SUPPORT
<b>KIT3</b>	<b>1</b>	<b>36-05-006/R</b>	<b>KIT TUBO RAFFREDDAMENTO 2°/3°STADIO</b>	<b>KIT 2ND/3RD STAGE COOLING PIPE</b>
3.1	1		TUBO RAFFREDDAMENTO 2°/3°STADIO	2ND/3RD STAGE COOLING PIPE
3.2	4		VITE T.C.E. ZINC. 6X45 DIN912	SCREW 6X45 T.C.E. ZINC. DIN 912
3.3	4		STAFFA INTERNA FERMATUBO Ø15 SETTE VIE	INTERNAL PIPE BRACKET Ø15 SEVEN-WAY
3.4	2		STAFFA ESTERNA FERMATUBO Ø15 OTTO VIE	EXTERNAL PIPE BRACKET Ø15 EIGHT-WAY
3.5	7		VITE TESTA CILINDRICA M6x40	SCREW TCEI M6X40
3.6	7		DADO INOX AUTOBLOC. M6 ALTO	NUT INOX AUTOBLOCK M6
<b>KIT4</b>	<b>1</b>	<b>36-05-040/R</b>	<b>KIT SUPPORTO TUBI RAFFREDDAMENTO</b>	<b>KIT COOLING PIPE SUPPORT MCH-36</b>
4.1	2		VITE TCEI INOX M8X25-8.8	SCREW TCEI INOX M8X25-8.8
4.2	1		SUPPORTO TUBI RAFFREDDAMENTO	COOLING PIPE SUPPORT MCH-36
5	4	36-05-005	RACCORDO TUBO Ø15 G1/2' CON GUARNIZIONE	FITTING TUBE D.15 G1/2 WITH GASKET
6	1	36-05-009/P	TUBO COLLEGAMENTO SEPARATORE 3°STADIO	3RD STAGE SEPARATOR CONNECTION PIPE
7	2	36-05-002	RACCORDO E212 118 L G1/2	FITTING E212 118 L G1/2
8	1	36-05-053	RACCORDO M26X1,5 TUBO Ø18 CON 2 FORI 1/8"NPT	FITTING M26X1,5 TUBE Ø18 WITH 2 HOLE 1/8"NPT
9	6	13-00-0053	GUARNIZIONE RAME 21,5x28x1,5	COPPER GASKET 21,5x28x1,5

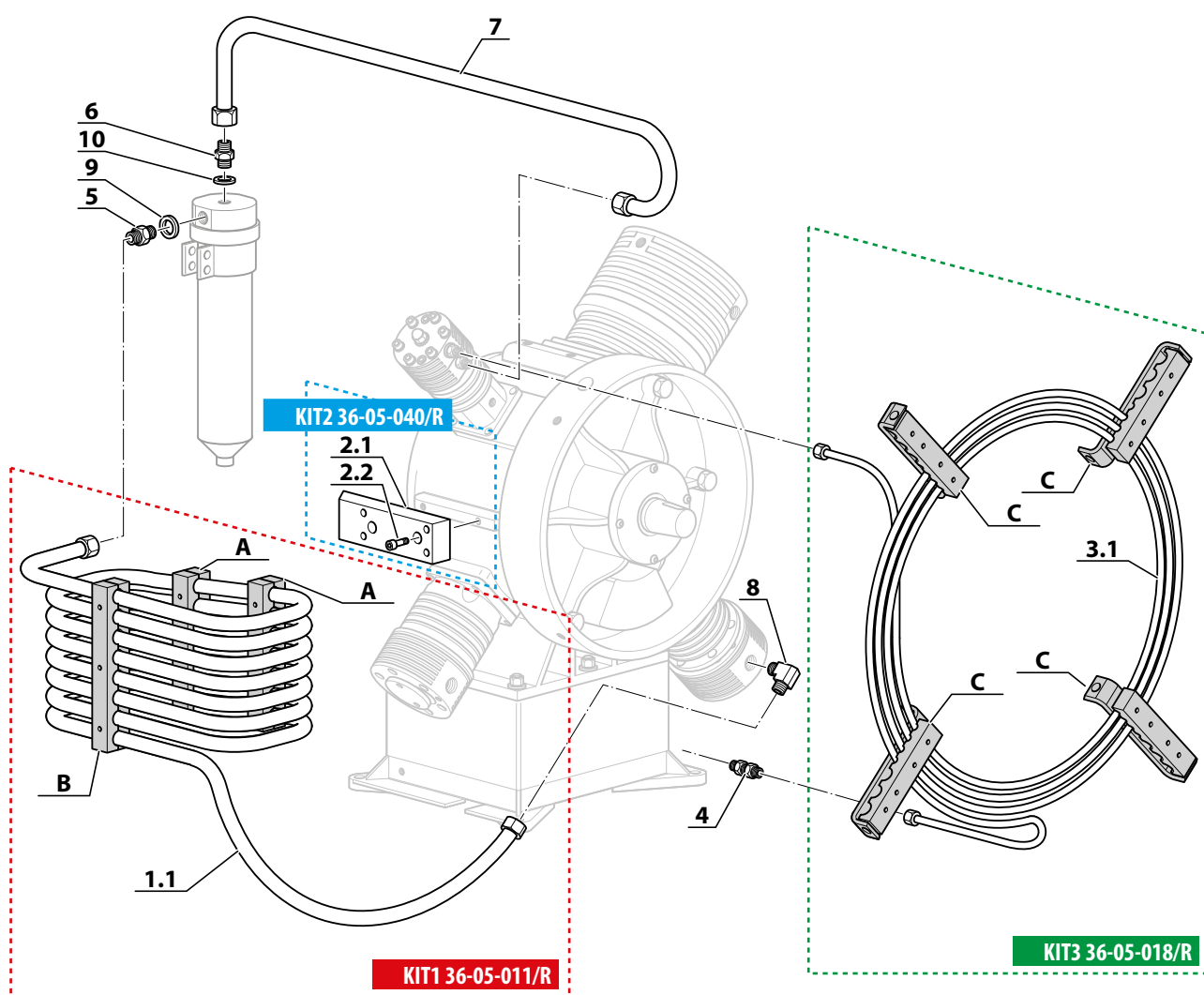
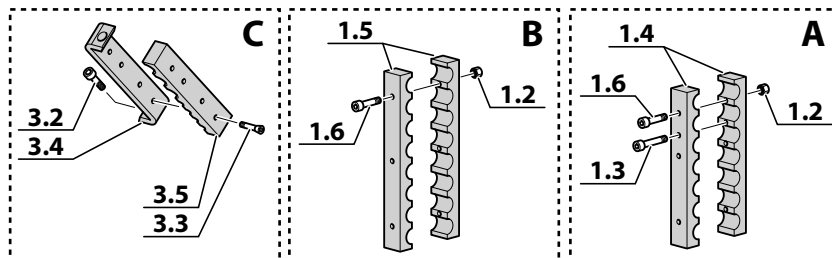
**CIRCUITO DI PRESSIONE 1°/2° STADIO - 1<sup>st</sup>/2<sup>nd</sup> PRESSURE CIRCUIT**



**CIRCUITO DI PRESSIONE 3°/4° STADIO - 3<sup>rd</sup>/4<sup>th</sup> PRESSURE CIRCUIT**

RIF. POS.	Q.TÀ Q.TY	CODICE CODE	DESCRIZIONE	DESCRIPTION
<b>KIT1</b>	<b>1</b>	<b>36-05-011/R</b>	<b>KIT TUBO RAFFREDDAMENTO 3°/4°STADIO</b>	<b>KIT 3RD/4TH STAGE COOLING PIPE</b>
1.1	1		TUBO RAFFREDDAMENTO 3°/4°STADIO	3RD/4TH STAGE COOLING PIPE
1.2	7		DADO INOX M6	INOX NUT M6
1.3	4		VITE T.C.E. ZINC. 6X45 DIN912	SCREW 6X45 T.C.E. ZINC. DIN 912
1.4	4		STAFFA INTERNA FERMATUBO Ø15 SETTE VIE	INTERNAL PIPE BRACKET Ø15 SEVEN-WAY
1.5	2		STAFFA ESTERNA FERMATUBO Ø15 OTTO VIE	EXTERNAL PIPE BRACKET Ø15 EIGHT-WAY
1.6	7		VITE TCEI M6X40	SCREW TCEI M6X40
<b>KIT2</b>	<b>1</b>	<b>36-05-040/R</b>	<b>KIT SUPPORTO TUBI RAFFREDDAMENTO</b>	<b>KIT COOLING PIPE SUPPORT MCH-36</b>
2.1	1		SUPPORTO TUBI RAFFREDDAMENTO	COOLING PIPE SUPPORT MCH-36
2.2	2		VITE TCEI INOX M8X25-8.8	SCREW TCEI INOX M8X25-8.8
<b>KIT3</b>	<b>1</b>	<b>36-05-018/R</b>	<b>KIT TUBO RAFFREDDAMENTO 4°STADIO</b>	<b>KIT 4TH STAGE COOLING PIPE</b>
3.1	1		TUBO RAFFREDDAMENTO 4°STADIO	4TH STAGE COOLING PIPE
3.2	4		VITE TCEI INOX M8X25	SCREW TCEI INOX M8X25
3.3	16		VITE TSPEIZN M8X35-10.9	SCREW TSPEIZN M8X35-10.9
3.4	4		STAFFA "L" TUBO RAFFREDDAMENTO 1°ST. (1°PARTE)	1ST STAGE (1ST PART) COOLING PIPE "L" BRACKET
3.5	4		STAFFA FERMATUBO Ø18 / Ø8	PIPE BRACKET Ø18 / Ø8
4	1	36-05-019	RACCORDO PASSAPARETE	THROUGH-WALL FITTING
5	1	36-05-005	RACCORDO TUBO Ø15 G1/2' CON GUARNIZIONE	FITTING TUBE D.15 G1/2 WITH GASKET
6	1	36-05-014	RACCORDO G 3/8' CON GUARNIZIONE	FITTING G 3/8' WITH GASKET
7	1	36-05-015/N/P	NUOVO TUBO SEPARATORE 3°/4°STADIO	NEW 3RD/4TH STAGE SEPARATOR CONNECTION PIPE
8	1	36-05-010	RACCORDO 90° 1/2 NPT TUBO Ø15	FITTING 90° 1/2 NPT TUBE Ø15
9	1	13-00-0053	GUARNIZIONE RAME 21,5x28x1,5	COPPER GASKET 21,5x28x1,5
10	1	13-01-0009	RONDELLA RAME 3/8 (17X23X1.5)	COPPER GASKET 3/8 (17X23X1.5)

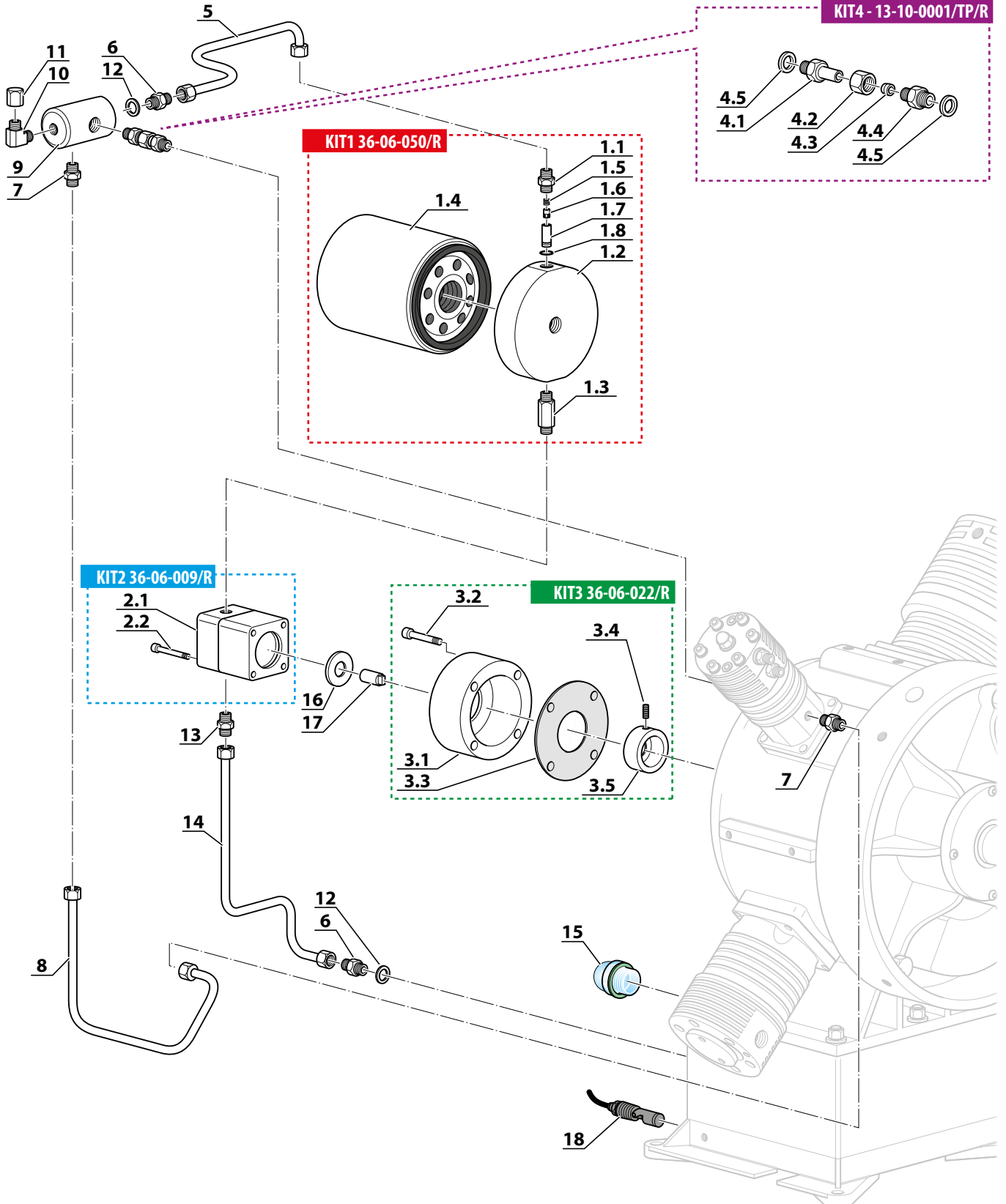
### CIRCUITO DI PRESSIONE 3°/4° STADIO - 3<sup>rd</sup>/4<sup>th</sup> PRESSURE CIRCUIT



**CIRCUITO DI LUBRIFICAZIONE - LUBRICATION CIRCUIT**

RIF. POS.	Q.TÀ Q.TY	CODICE CODE	DESCRIZIONE	DESCRIPTION
<b>KIT1</b>	<b>1</b>	<b>36-06-050/R</b>	<b>KIT SUPPORTO FILTRO OLIO</b>	<b>KIT OIL FILTER SUPPORT</b>
1.1	1		RACCORDO OGIVA TUBO Ø8 14X1.5-1/8 NPT	FITTING OGIVE TUBE Ø8 14X1.5-1/8 NPT
1.2	1		SUPPORTO FILTRO OLIO	OIL FILTER SUPPORT
1.3	1		RACCORDO 1/8 NPT - 1/8 NPT	FITTING M 1/8 NPT - M 1/8 NPT
1.4	1	SC000688	FILTRO OLIO (FO0243V)	OIL FILTER CARTRIDGE (FO0243V)
1.5	1		MOLLA VALVOLA DI NON RITORNO	NON-RETURN VALVE SPRING
1.6	1		PISTONE RECUPERO PRESSIONE OLIO	OIL PRESSURE RECOVERY PISTON
1.7	1		CILINDRO RECUPERO PRESSIONE OLIO	OIL PRESSURE RECOVERY CYLINDER
1.8	1		O-RING NBR 90 SH° (4.48x1.78)	O-RING NBR 90 SH° (4.48x1.78)
<b>KIT2</b>	<b>1</b>	<b>36-06-009/R</b>	<b>KIT POMPA OLIO</b>	<b>KIT OIL PUMP</b>
2.1	1		POMPA OLIO	OIL PUMP
2.2	2		VITE T.C.E. ZINC. 5X55	SCREW 5X55 T.C.E. ZINC.
<b>KIT3</b>	<b>1</b>	<b>36-06-022/R</b>	<b>KIT FLANGIA POMPA OLIO</b>	<b>KIT OIL PUMP FLANGE</b>
3.1	1		FLANGIA POMPA OLIO	OIL PUMP FLANGE
3.2	4		VITE TCEI M6X40	SCREW TCEI M6X40
3.3	1		GUARNIZIONE FLANGIA POMPA OLIO	OIL PUMP FLANGE GASKET
3.4	1		GRANO M8X8-8.8 ESTREMITÀ CONICA	GRUB SCREW M8X8-8.8 TAPERED END
3.5	1		GIUNTO POMPA OLIO	OIL PUMP COUPLING
<b>KIT4</b>	<b>1</b>	<b>13-10-0001/TP/R</b>	<b>KIT RACCORDI 1/4 COLLEGAMENTO 2 HYPYPERFILTER</b>	<b>KIT FITTINGS 1/4 CONNECTION 2 HYPYPERFILTER</b>
4.1	1		RACCORDO ERMETO 1/4 - TUBO Ø8	FITTING ERMETO 1/4 - TUBE Ø8
4.2	1		DADO PER RACCORDO ERMETO TUBO Ø8	NUT FOR FITTING ERMETO TUBE Ø8
4.3	1		ANELLO OGIVA Ø8M	OGIVE RING Ø8M
4.4	1		RACCORDO ERMETO G1/4-M14X1.5	FITTING ERMETO G1/4-M14X1.5
4.5	2		RONDELLA 1/4 IN RAME	COPPER WASHER 1/4
5	1	36-06-001/SS/P	TUBO SCARICO POMPA OLIO	OIL PUMP DISCHARGE PIPE
6	2	13-00-0175E/X	RACCORDO ERMETO G1/4-M14X1.5	FITTING ERMETO G1/4-M14X1.5
7	2	13-00-0174E/X	RACCORDO OGIVA TUBO Ø6 M12X1.5 - 1/8 NPT	FITTING OGIVE TUBE Ø6 M12X1.5 - 1/8 NPT
8	1	36-06-032/SS/P	TUBO Ø6 COLLEGAMENTO BLOCCHETTO/4°STADIO	BLOCK/4TH STAGE CONNECTION PIPE Ø6
9	1	36-06-013	BLOCCHETTO REGOLAZIONE PRESSIONE OLIO	OIL PRESSURE REGULATION BLOCK
10	1	13-00-0144	RACCORDO 90° 1/8 - 7/16 TUBO 6MM	FITTING 90° 1/8 - TUBO 6MM
11	1	6-00-029	TAPPO SFIATO OLIO 7/16	OIL BREATHER CAP
12	2	GUAR1319	RONDELLA RAME 1/4	COPPER WASHER 1/4
13	1	13-04-0175E/X	RACCORDO OGIVA TUBO Ø8 14X1.5-1/8 NPT	FITTING OGIVE TUBE Ø8 14X1.5-1/8 NPT
14	1	36-06-0120	TUBO SCARICO OLIO	OIL DISCHARGE PIPE
15	2	13-00-0068	VISORE LIVELLO OLIO CON GUARNIZIONE	OIL LEVEL VIEWER WITH GASKET
16	1	36-06-109	RONDELLA	WASHER
17	1	36-06-110	SPINA DI TRASCINAMENTO	DRAGGING PIN
18	1	SC000334	SENSORE LIVELLO OLIO	OIL LEVEL SWITCH

### CIRCUITO DI LUBRIFICAZIONE - LUBRICATION CIRCUIT



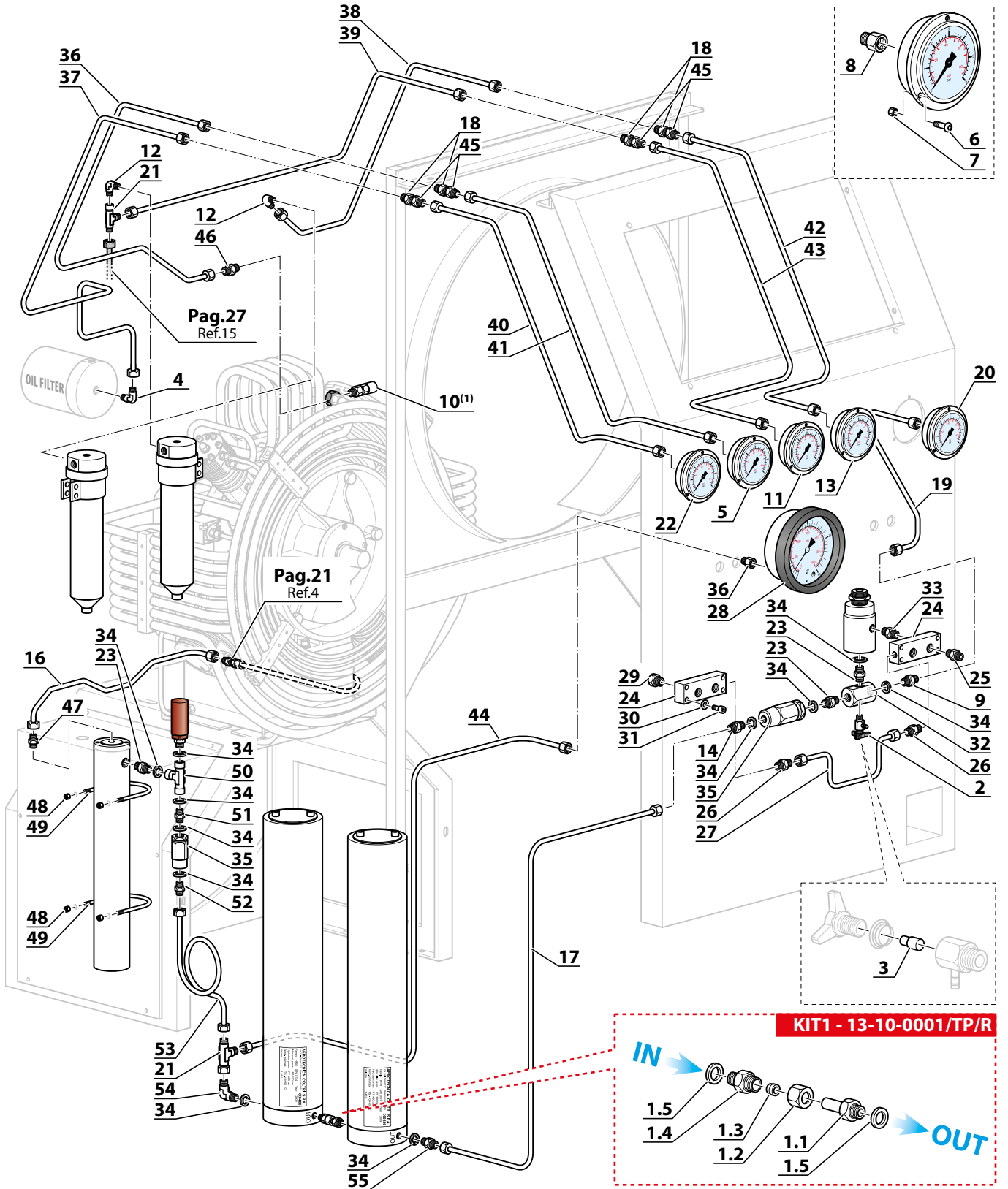


**CIRCUITO DI UTILIZZO - PNEUMATIC CIRCUIT**

RIF. POS.	Q.TÀ Q.TY	CODICE CODE	DESCRIZIONE	DESCRIPTION
<b>KIT1</b>	<b>1</b>	<b>13-10-0001/TP/R</b>	<b>KIT RACCORDI 1/4 COLLEGAMENTO 2 HYPERFILTER</b>	<b>KIT FITTINGS 1/4 CONNECTION 2 HYPERFILTER</b>
1.1	1		RACCORDO ERMETO 1/4 - TUBO Ø8	FITTING ERMETO 1/4 - TUBE Ø8
1.2	1		DADO PER RACCORDO ERMETO TUBO Ø8	NUT FOR FITTING ERMETO TUBE Ø8
1.3	1		ANELLO OGIVA Ø8M	OGIVE RING Ø8M
1.4	1		RACCORDO ERMETO G1/4-M14X1.5	FITTING ERMETO G1/4-M14X1.5
1.5	2		RONDELLA 1/4 IN RAME	COPPER WASHER 1/4
2	1	13-00-0161-1/4N/P	KIT RUBINETTO SCARICO CONDENSA G1/4 NPT	KIT CONDENSATE DISCHARGE VALVE G1/4 NPT
3	1	13-00-0162	NYLON SCARICO CONDENSA	CONDENSATE DISCHARGE NYLON
4	1	13-00-0144	RACCORDO 90° 1/8 - 7/16 TUBO 6mm	FITTING 90° 1/8 - 7/16 TUBE 6mm
5	1	36-07-005	MANOMETRO FLANGIATO 1°STADIO	1ST STAGE FLANGED GAUGE
6	15	36-07-006	VITE TCEI M3X10 INOX	SCREW TCEI M3X10 STAINLESS
7	15	DA003I	DADO INOX AUTOBLOC. M3	SELF LOCKING NUT M3 INOX
8	6	6-05-071/X	RACCORDO INOX 7/16 1/4GB	FITTING INOX 7/16 1/4GB
9	1	13-00-0125	RACCORDO 1/4 GAS - 7/16	1/4 GAS - 7/16 FITTING
10	1	36-07-066	VALVOLA DI SICUREZZA 1° STADIO	1ST STAGE SAFETY VALVE
11	1	36-07-011	MANOMETRO FLANGIATO 2°STADIO	2ND STAGE FLANGED GAUGE
12	2	36-07-008	RACCORDO 90° 1/4NPT - 7/16	FITTING 90° 1/4NPT - 7/16
13	1	36-07-013	MANOMETRO FLANGIATO 3°STADIO	3RD STAGE FLANGED GAUGE
14	1	13-00-0175E	RACCORDO TUBO Ø8 G1/4' CON GUARNIZIONE	FITTING TUBE Ø8 G1/4' WITH GASKET
15	1	13-04-0322/AIR	TUBO HP BREATHING AIR 500mm 420BAR	HP 500mm AIR HOSE
16	1	36-07-014/SS/P	TUBO 4° STADIO-SEPARATORE	TUBE 4ST STAGE-SEPARATOR
17	1	36-07-039/SS/P	TUBO INOX Ø8 H.F. / V.M.P.	STAINLESS PIPE Ø8 H.F. / V.M.P.
18	4	36-07-003	RACCORDO PASSAPARETE 7/16 7/16 MM.44,5	THROUGH-WALL FITTING 7/16 7/16 MM.44,5
19	1	36-05-080/P	TUBO MANOMETRO 4°STADIO-BLOCCHETTO MCH36	PIPE 4TH STAGE PRESSURE GAUGE-BLOCK MCH36
20	1	13-04-0211/500	MANOMETRO FLANGIATO 0-500BAR	FLANGED GAUGE 0-500BAR
21	2	RACC4R6MXS	RACCORDO 90° 1/8 - 7/16 TUBO 6mm	FITTING 90° 1/8 - 7/16 TUBE 6mm
22	1	36-07-055	MANOMETRO FLANGIATO PRESSIONE OLIO 0-6BAR	OIL PRESSURE FLANGED GAUGE 0-6BAR
23	3	13-04-0225	RACCORDO 1/4 GAS - 1/4 NPT	1/4 GAS-1/4 NPT PIPE FITTING
24	2	13-04-0217/1	BLOCCHETTO ALLUMINIO RAMPA DI RICARICA	RECHARGE RAMP ALUMINIUM BLOCK
25	5	13-00-0025	RACCORDO 1/4 NPT-TUBO 6MM DIRITTO 7/16	STRAIGHT FITTING 1/4 TUBE 6MM 7/16
26	2	13-07-0002	RACCORDO OGIVA TUBO Ø8 - 1/4 NPT	FITTING OGIVE TUBE Ø8 - 1/4 NPT
27	1	36-07-049/SS/P	TUBO INOX Ø8 COLLEGAMENTO BLOCCHETTI	STAINLESS BLOCK CONNECTION PIPE Ø8
28	1	SC000927	PRESSOSTATO DIGITALE	DIGITAL PRESSURE SWITCH
29	3	13-07-0003	TAPPO 1/4 NPT	PLUG 1/4 NPT
30	8	RON6I	RONDELLA PIANA M6 INOX DIN125	FLAT WASHER M6 INOX DIN125
31	8	VITE0614	VITE TCEI 6x14	SCREW TCEI 6x14
32	1	36-07-093-1/4-1	BLOCCHETTO 1/4 GAS - 1/4 NPT	BLOCK 1/4 GAS - 1/4 NPT
33	1	36-07-053	RACCORDO 1/4 NPT - 1/4 NPT	1/4 NPT - 1/4 NPT FITTING
34	11	GUAR1319	RONDELLA 1/4 IN RAME	COPPER WASHER 1/4
35	2	13-05-0492/P	VALVOLA DI NON RITORNO	CHECK VALVE
36	1	36-05-076/P	TUBO PRESSIONE 1° STADIO - PASSAPARETE ESTERNO MCH36	PIPE 1ST STAGE PRESSURE - EXTERNAL BULKHEAD MCH36
37	1	36.0.D1S4.0010	TUPO PRESSIONE OLIO - PASSAPARETE ESTERNO MCH36	PIPE OIL PRESSURE - EXTERNAL BULKHEAD MCH36
38	1	36-05-072/P	TUBO SEPARATORE 3° STADIO - PASSAPARETE ESTERNO MCH36	PIPE 3RD STAGE SEPARATOR - EXTERNAL BULKHEAD MCH36
39	1	36-05-077/P	TUBO SEPARATORE 2° STADIO - PASSAPARETE ESTERNO MCH36	PIPE 2ND STAGE SEPARATOR - EXTERNAL BULKHEAD MCH36
40	1	36-05-079/P	TUBO MANOMETRO OLIO - PASSAPARETE INTERNO MCH36	PIPE OIL PRESSURE GAUGE - INSIDE BULKHEAD
41	1	36-05-073/P	TUBO MANOMETRO 1° STADIO - PASSAPARETE INTERNO MCH36	PIPE 1ST STAGE PRESSURE GAUGE - INSIDE BULKHEAD
42	1	36-05-075/P	TUBO MANOMETRO 3° STADIO - PASSAPARETE INTERNO MCH36	PIPE 3RD STAGE PRESSURE GAUGE - INSIDE BULKHEAD
43	1	36-05-074/P	TUBO MANOMETRO 2° STADIO - PASSAPARETE INTERNO MCH36	PIPE 2ND STAGE PRESSURE GAUGE - INSIDE BULKHEAD
44	1	36-05-071/P	TUBO PRESSOSTATO - T PRIMA DEL FILTRO MCH36	PIPE PRESSURE SWITCH - T BEFORE FILTER MCH36
45	4	36-07-003/D	DADO PER RACCORDO PASSAPARETE 36-07-003/C	NUT FOR BULKHEAD FITTING 36-07-003/C
46	1	13-00-0174	RACCORDO 1/8 NPT - 7/16 UNF TUBO 6mm	FITTING 1/8 NPT - 7/16 UNF TUBE 6mm
47	1	36-05-017	RACCORDO ERMETO G1/4 M14x1,5 TUBO Ø8	FITTING ERMETO G1/4 M14x1,5 TUBE Ø8
48	4	13-00-0101I	DADO INOX AUTOBLOCCANTE M8	NUT INOX AUTOBLOCK M8
49	2	13-00-0093	STAFFA PORTAFILTRO	FILTER HOLDER BRACKET
50	1	RAC/1/4/T	RACCORDO A "T" FFF 1/4	FITTING "T" FFF 1/4
51	1	RAC/1/4G-1/4G	RACCORDO DRITTO 1/4G M-1/4 G M	FITTING 1/4G M-1/4 G M
52	1	RAC4-4F40MXS	RACCORDO DIRITTO 4-4F40MXS 1/4G-7/16-20UNF	FITTING 4-4F40MXS 1/4G-7/16-20UNF
53	1	36-07-081/P	TUBO INOX Ø6X1 SS SEP-HYPERFILTER	PIPE Ø6X1 SS SEP-HYPERFILTER
54	1	S600-06-13G	RACCORDO 90° 1/4 GAS GIREVOLE 7/16 UNF	FITTING 90° 1/4 GAS 7/16 UNF TURNING
55	1	13-00-0175E/X	RACCORDO ERMETO G1/4-M14X1.5	FITTING ERMETO G1/4-M14X1.5



### CIRCUITO DI UTILIZZO - PNEUMATIC CIRCUIT

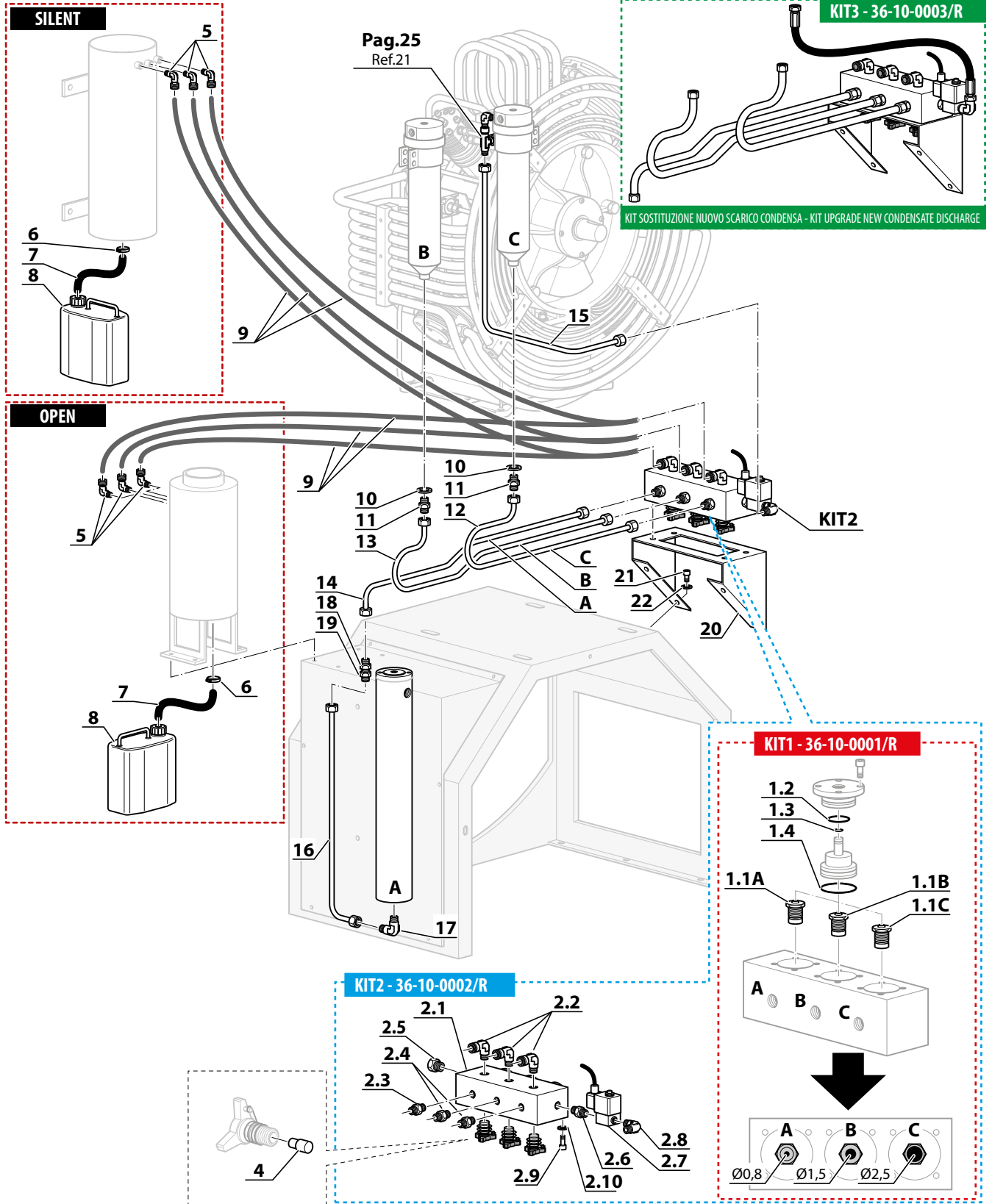


10<sup>(1)</sup> La valvola deve essere stretta con una coppia di serraggio di 20Nm - The valve must be tightened with a torque of 20Nm

**CIRCUITO SCARICO CONDENZA - CONDENSATE DISCHARGE CIRCUIT**

RIF. POS.	Q.TÀ Q.TY	CODICE CODE	DESCRIZIONE	DESCRIPTION
<b>KIT1</b>	<b>1</b>	<b>36-10-0001/R</b>	<b>KIT UGELLI SCARICO CONDENZA MCH-30-36</b>	<b>KIT NOZZLES CONDENSATE DRAIN MCH-30-36</b>
1.1A	1		UGELLO SCARICO CONDENZA Ø0,8	NOZZLE CONDENSATE DRAIN Ø0,8
1.1B	1		UGELLO SCARICO CONDENZA Ø1,5	NOZZLE CONDENSATE DRAIN Ø1,5
1.1C	1		UGELLO SCARICO CONDENZA Ø2,5	NOZZLE CONDENSATE DRAIN Ø2,5
1.2	3		O RING 2106 NBR 90 SH (29,9x1,78)	O RING 2106 NBR 90 SH (29,9x1,78)
1.3	3		O RING 2018 90SH (4,48X1,78)	O RING 2018 90SH (4,48X1,78)
1.4	3		O-RING 2100 VITON 90 (25.12x1.78)	O RING 2100 VITON 90 (25.12x1.78)
<b>KIT2</b>	<b>1</b>	<b>36-10-0002/R</b>	<b>KIT BLOCCHETTO SCARICO CONDENZA MCH-30-36</b>	<b>KIT CONDENSATE DISCHARGE MCH-30-36</b>
2.1	1		KIT SCARICO CONDENZA 3 VIE MCH-36FFF	KIT CONDENSATE DISCHARGE MCH-36
2.2	3		RACCORDO 90° 1/8 NPT TUBO Ø8 MM RILSAN	FITTING 90° 1/8 NPT TUBE Ø8 MM RILSAN
2.3	1		RACCORDO OGIVA TUBO Ø8 14X1.5-1/8 NPT	FITTING OGIVE TUBE Ø8 14X1.5-1/8 NPT
2.4	2		RACCORDO 1/8 NPT TUBO 6mm	FITTING TUBE Ø6 G1/8
2.5	1		TAPPO 1/8 NPT CIECO	PLUG 1/8 NPT
2.6	1		RACC. DIRITTO M 1/8 NPT - M 1/8 NPT	STRAIGHT FITTING M 1/8 NPT - M 1/8 NPT
2.7	1	36-07-067	ELETTROVALVOLA L.P. SISTEMA APERTO	L.P. SYSTEM SOL. VALVE OPEN
2.8	1		RACCORDO 90° 1/8 - 7/16 TUBO 6MM	FITTING 90° 1/8 - TUBO 6MM
2.9	4		VITE TCEI M6x16 INOX	SCREW TCEI M6x16 INOX
2.10	4		RONDELLA INOX M6 DIN 988	WASHER INOX M6 DIN 988
<b>KIT3</b>	<b>1</b>	<b>36-10-0003/R</b>	<b>KIT SOSTITUZIONE NUOVO SCARICO CONDENZA</b>	<b>KIT UPGRADE NEW CONDENSATE DISCHARGE</b>
4	1	13-00-0162	NYLON SCARICO CONDENZA	CONDENSATE DISCHARGE NYLON
5	3	RAC1500-8/6-1/4	RACCORDO A 90° 1500 8/6 1/4	FITTING 90° 1500 8/6 1/4
6	1	FASC/3B/17/29	FASCETTA INOX 3B D.17/29	CLIP INOX 3B D.17/29
7	1	36-07-080	TUBO S.C. Ø17X22 L. 120	S.C. PIPE Ø17X22 L. 120
8	1	TAN/80/5	TANICA S.C. LT 5 1 FORO 25MM	S.C. TANK LT 5 1 HOLE 25MM
9	0,8	TUBRILSAN8X6	TUBO RILSAN 8X6	RILSAN HOSE 8X6
10	2	GUAR1319	RONDELLA 1/4 IN RAME	COPPER WASHER 1/4
11	2	13-00-0025E/X	RACCORDO ERMETO G1/4-12x1.5 TUBO Ø6	FITTING ERMETO G1/4-12x1.5 TUBE Ø6
12	1	36-07-059/SS/P	TUBO INOX Ø6 SEPARATORE 2°STADIO	2ND STAGE SEPARATOR Ø6 STAINLESS PIPE
13	1	36-07-061/SS/P	TUBO INOX Ø6 SEPARATORE 3°STADIO	3RD STAGE SEPARATOR Ø6 STAINLESS PIPE
14	1	36-07-062/SS/P	TUBO INOX Ø8 SEPARATORE 4°STADIO	4TH STAGE SEPARATOR Ø6 STAINLESS PIPE
15	1	36-05-00240/N/P	TUBO INOX 6X1 SEPARAT-BLOCCHETTO	SEPARAT-BLOCK STAINLESS PIPE
16	1	36-07-064/SS/P	TUBO INOX Ø8 S.C.	S.C. STAINLESS PIPE
17	1	36-07-065	RACCORDO 90° 1/8 NPT	90° FITTING 1/8 NPT
18	1	36-05-019	RACCORDO PASSAPARETE	THROUGH-WALL FITTING
19	1	36-05-019/D	DADO RACCORDO PASSAPARETE 7/16-7/16 MM44.5	NUT THROUGH-WALL FITTING 7/16-7/16 MM44.5
20	1	36-05-045	SUPPORTO BLOCCHETTO SCARICO CONDENZA	SUPPORT BLOCK CONDENSATE DRAIN
21	4	VITE0620I	VITE T.C.E. INOX M6x20 DIN912	SCREW T.C.E. INOX M6x20 DIN912
22	4	RON0618I	RONDELLA INOX M6 (6,5X18X2)	WASHER INOX M6 (6,5X18X2)

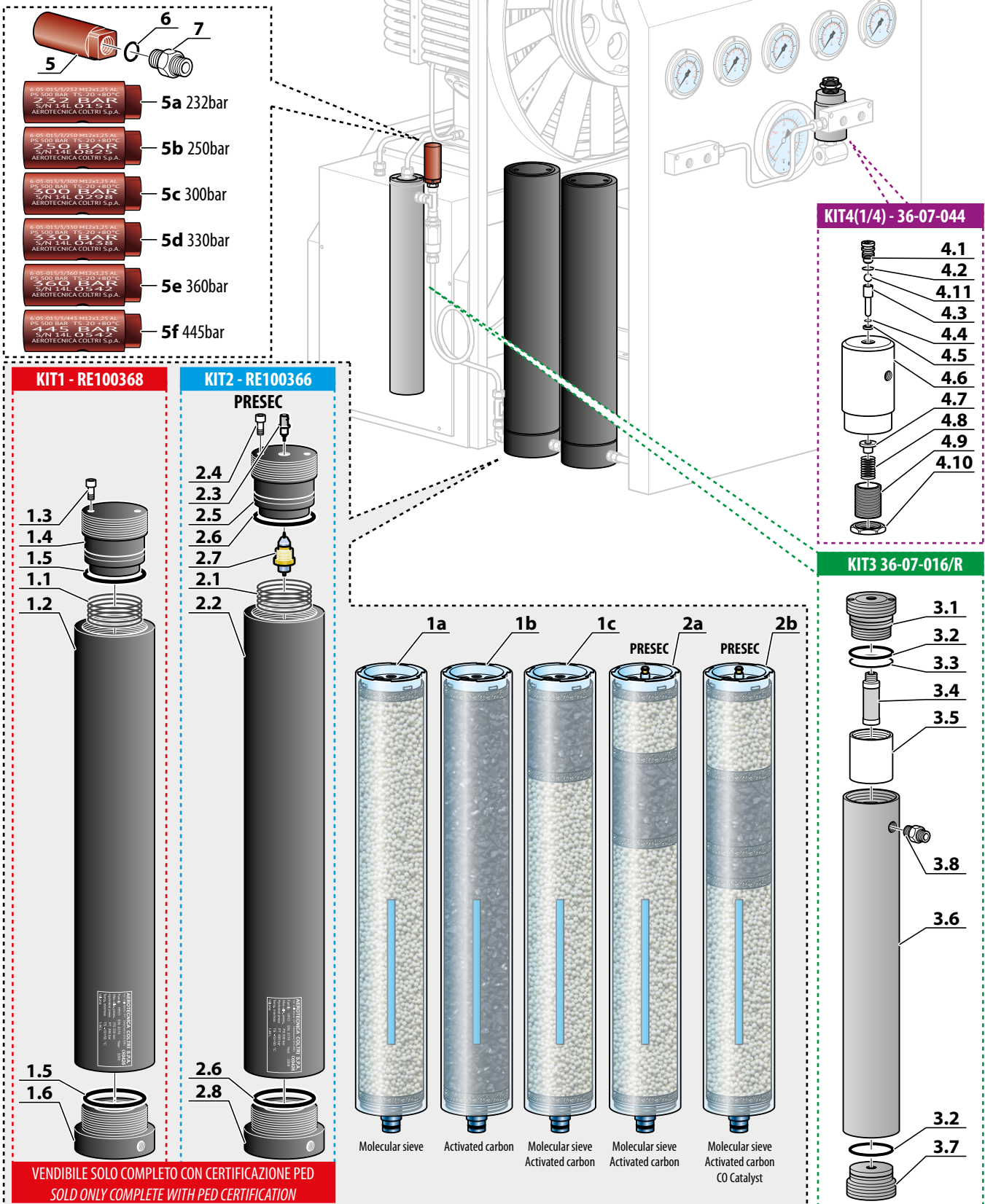
## CIRCUITO SCARICO CONDENSA - CONDENSATE DISCHARGE CIRCUIT



## HYPERFILTER - SEPARATORE - VALVOLA DI MANTENIMENTO - VALVOLA DI SICUREZZA HYPERFILTER - CONDENSATE SEPARATOR - MAINTENANCE VALVE - SAFETY VALVE

RIF. POS.	Q.TÀ Q.TY	CODICE CODE	DESCRIZIONE	DESCRIPTION
<b>KIT1</b>	<b>1</b>	<b>RE100368</b>	<b>HYPER FILTER (senza cartuccia Hyper)</b>	<b>HYPER FILTER (without Hyper cartridge)</b>
1.1	1		MOLLA CARTUCCIA HYPER FILTER	HYPERFILTER CARTRIDGE SPRING
1.2	1		CORPO HYPER FILTER 110MM	HYPERFILTER BODY 110MM
1.3	2		VITE T.C.E INOX 10X16 DIN912	SCREW T.C.E INOX 10X16 DIN912
1.4	1		TAPPO SUPERIORE SENZA SENSORE	UPPER PLUG WITHOUT SENSOR
1.5	2		O RING 6250 NBR 90 (62,87X5,34)	O RING 6250 NBR 90 (62,87X5,34)
1.6	1		TAPPO INFERIORE HYPER FILTER FORI DA 1/4G	LOWER CAP HYPERFILTER HOLES TO 1/4G
<b>KIT2</b>	<b>1</b>	<b>RE100366</b>	<b>HYPER FILTER PRESEC (senza cartuccia Hyper)</b>	<b>HYPER FILTER PRESEC (without Hyper cartridge)</b>
2.1	1		MOLLA CARTUCCIA HYPER FILTER	HYPERFILTER CARTRIDGE SPRING
2.2	1		CORPO HYPER FILTER	HYPERFILTER BODY
2.3	1		CONNETTORE PRESEC	PRESEC CONNECTOR
2.4	2		VITE T.C.E INOX 10X16 DIN912	SCREW T.C.E INOX 10X16 DIN912
2.5	1		TAPPO SUPERIORE CON SENSORE HYPER FILTER	UPPER PLUG WITH SENSOR
2.6	2		O RING 6250 NBR 90 (62,87X5,34)	O RING 6250 NBR 90 (62,87X5,34)
2.7	1		SENSORE PRESEC	PRESEC SENSOR
2.8	1		TAPPO INFERIORE HYPER FILTER FORI DA 1/4G	LOWER CAP HYPERFILTER HOLES TO 1/4G
1a	1	36-07-034/PP/A-MS	CARTUCCIA HYPERFILTER SETACCIO MOLECOLARE	HYPERFILTER MOLECULAR SIEVE CARTRIDGE
1b	1	36-07-034/PP/CARB	CARTUCCIA HYPERFILTER CARBONE ATTIVO	HYPERFILTER ACTIVE CARBON CARTRIDGE
1c	1	36-07-034/PP/B-AC	CARTUCCIA HYPERFILTER CARB. ATT./SET.MOL.	HYPERFILTER ACT. CARB./MOLEC. SIEVE CARTRIDGE
2a	1	SC000543/PP	CARTUCCIA HYPERFILTER PRESEC CARB./SET.	HYPERFILTER PRESEC CARBON/SIEVE CARTRIDGE
2b	1	SC000543/PP/CO	CARTUCCIA HYPERFILTER PRESEC CARB./SET./HOPKALITE	HYPERFILTER PRESEC CARB./SIEVE/HOPK. CARTRIDGE
<b>KIT3</b>	<b>1</b>	<b>36-07-016/R</b>	<b>KIT SEPARATORE</b>	<b>KIT CONDENSATE DISCHARGE</b>
3.1	1		TAPPO SUPERIORE SEPARATORE 4°STADIO	4TH STAGE SEPARATOR UPPER PLUG
3.2	2		O-RING 6162 NBR90SH (40.65X5,33)	O-RING 6162 NBR90SH (40.65X5,33)
3.3	1		O-RING 3137 NBR90SH (34.60X2,62)	O-RING 3137 NBR90SH (34.60X2,62)
3.4	1		FILTRO SEPARATORE 4°STADIO	4TH STAGE SEPARATOR FILTER
3.5	1		TUBO TAPPO SUPERIORE SEPARATORE 4°STADIO	4TH STAGE SEPARATOR UPPER PLUG PIPE
3.6	1		CORPO SEPARATORE 4°STADIO	4TH STAGE SEPARATOR BODY
3.7	1		TAPPO INFERIORE SEPARATORE 4°STADIO	4TH STAGE SEPARATOR LOWER PLUG
3.8	1		RACCORDO 1/4 GAS - 1/4 NPT	FITTING 1/4 GAS - 1/4 NPT
<b>KIT4</b>	<b>1</b>	<b>36-07-044</b>	<b>VALVOLA MANTENIMENTO PRESSIONE MCH-36</b>	<b>PRESSURE MAINTENANCE VALVE MCH36</b>
4.1	1		VITE VALVOLA MANTENIMENTO MCH 13/16	MAINTENANCE VALVE SCREW MCH13/16
4.2	1		O RING 2025 NBR90SH (6,07X1,78)	O RING 2025 NBR90SH (6,07X1,78)
4.3	1		PISTONE VALVOLA MANTENIMENTO MCH 13/16	MAINTENANCE VALVE PISTON MCH13/16
4.4	1		O RING 2015 NBR90SH (3,69X1,78)	O RING 2015 NBR90SH (3,69X1,78)
4.5	1		RONDELLA TEFLON PER PISTONE VMP	TEFLON RING VMP PISTON
4.6	1		CORPO VALVOLA MANTENIMENTO 1/8 NPT	MAINTENANCE VALVE BODY 1/8 NPT
4.7	1		DISTANZIALE MOLLA PISTONE VPM	VMP PISTON SCREW SPACER
4.8	1		MOLLA VALVOLA SICUREZZA	SAFETY VALVE SPRING
4.9	1		CAPPUCCIO VALVOLA MANT.PRESS. ALL.	VMP CAP
4.10	1		DADO VMP ALL. M20X1,5	VMP NUT M20X1,5
4.11	1		SFERA INOX Ø5 VMP	STAINLESS STEEL BALL Ø5 VMP
5a	1	6-05-015/3/232	VALVOLA DI SICUREZZA (232 BAR / 3300 PSI)	SAFETY VALVE (232 BAR / 3300 PSI)
5b	1	6-05-015/3/250	VALVOLA DI SICUREZZA (250 BAR / 3600 PSI)	SAFETY VALVE (250 BAR / 3600 PSI)
5c	1	6-05-015/3/300	VALVOLA DI SICUREZZA (300 BAR / 4300 PSI)	SAFETY VALVE (300 BAR / 4300 PSI)
5d	1	6-05-015/3/330	VALVOLA DI SICUREZZA (330 BAR / 4700 PSI)	SAFETY VALVE (330 BAR / 4700 PSI)
5e	1	6-05-015/3/360	VALVOLA DI SICUREZZA (360 BAR / 5200 PSI)	SAFETY VALVE (360 BAR / 5200 PSI)
5f	1	6-05-015/3/445	VALVOLA DI SICUREZZA (445 BAR / 6400 PSI)	SAFETY VALVE (445 BAR / 6400 PSI)
6	1	OR-114/90	O-RING 114 NBR90SH	O-RING 114 NBR90SH
7	1	36-06-200	RACCORDO VALVOLA SICUREZZA 1/4G-M12X1,25	SAFETY VALVE FITTING 1/4G-M12X1,25

**HYPERFILTER - SEPARATORE - VALVOLA DI MANTENIMENTO - VALVOLA DI SICUREZZA**  
**HYPERFILTER - CONDENSATE SEPARATOR - MAINTENANCE VALVE - SAFETY VALVE**



**TARGHETTE DI SICUREZZA - SAFETY INFO LABEL**

RIF. POS.	Q.TÀ Q.TY	CODICE CODE	DESCRIZIONE	DESCRIPTION
1	1	ADES/PANNELLO/MCH36	ADESIVO PANNELLO DI COMANDO	COMMAND PANNEL STICKER
2	1	ADES/SFORI/MANOM	ADESIVO PANNELLO DI CONTROLLO	CONTROL PANNEL STICKER
3	1	ADES/SER/MCH6	ADESIVO ISTRUZIONI MCH6	INSTRUCTIONS STICKER
4a	1	ADESIVO/232	ADESIVO PRESSIONE 232 BAR	PRESSURE STICKER 232 BAR
4b	1	ADESIVO/300	ADESIVO PRESSIONE 300 BAR	PRESSURE STICKER 300 BAR
4c	1	ADESIVO/330	ADESIVO PRESSIONE 330 BAR	PRESSURE STICKER 330 BAR
4d	1	ADESIVO/420	ADESIVO PRESSIONE 420 BAR	PRESSURE STICKER 420 BAR
5	1	ADES/USO	ADESIVO USO	USE STICKER



## TARGHETTE DI SICUREZZA - SAFETY INFO LABEL

**1**

**2**

**3** ← ROTATION

**3** SCARICO CONDENSA  
CONDENSATE DISCHARGE

**3** **ATTENZIONE**  
CONTROLLARE IL LIVELLO DELL'OLIO  
OGNI 50 ORE E SOSTITUIRLO OGNI  
250 ORE DI LAVORO  
**WARNING**  
CHECK OIL LEVEL EVERY 50 HOURS  
AND CHANGE OIL EVERY  
250 WORKING HOURS

**3** **USARE OLIO SPECIALE**  
**PER COMPRESSORI AD**  
**ALTA PRESSIONE**  
  
**USE SPECIAL OIL**  
**FOR HIGH PRESSURE**  
**COMPRESSORS**

**3** **FILTRO CON CARTUCCIA DA**  
**SOSTITUIRE AD INTERVALLI**  
**REGOLARI - VEDI MANUALE**  
  
**FILTER WITH CARTRIDGE**  
**TO BE REPLACED AT REGULAR**  
**INTERVALS - SEE MANUAL**

**3** **SCARICO OLIO**  
**OIL DRAIN**

**4a** 232 BAR  
3300 PSI

**4b** 300 BAR  
4300 PSI

**4c** 330 BAR  
4700 PSI

**4d** 420 BAR  
6200 PSI

**5**

Do not use the compressor without having first read the instruction manual supplied with the machine and observed the instructions. The user shall pay all necessary attention and adopt appropriate control devices, safety and protection for vessels which have indicated, on the test certificate, maximum working pressure lower than that indicated on compressor.

No utilice el compresor sin haber leído antes el manual de instrucciones proporcionado con la máquina y observadas escrupulosamente. El usuario deberá prestar toda la atención necesaria y adoptar dispositivos de control adecuados, de seguridad y de protección para la carga de recipientes que indiquen, en el certificado de prueba, una presión máxima de trabajo inferior a la indicada en el compresor.

Non utilizzare il compressore senza aver letto prima il manuale d'uso a corredo della macchina e rispettato le indicazioni riportate. L'utilizzatore deve prestare tutte le attenzioni necessarie e dotarsi degli opportuni dispositivi di regolazione, sicurezza e protezione per le cariche di recipienti che abbiano indicato, sul certificato di collaudo, una pressione massima di esercizio inferiore a quella indicata sul compressore.

Ne pas utiliser le compresseur sans avoir lu le manuel d'utilisation fourni avec la machine et se conformer aux instructions. Il faut que l'utilisateur prête attention et se munisse des dispositifs de réglage et de protection, après à remplir les réservoirs, qui ont indiqué sur le attestation d'essais une pression de service maximale moins grande que celle indiquée sur le compresseur.

**QUADRO ELETTRICO - ELECTRICAL BOARD**

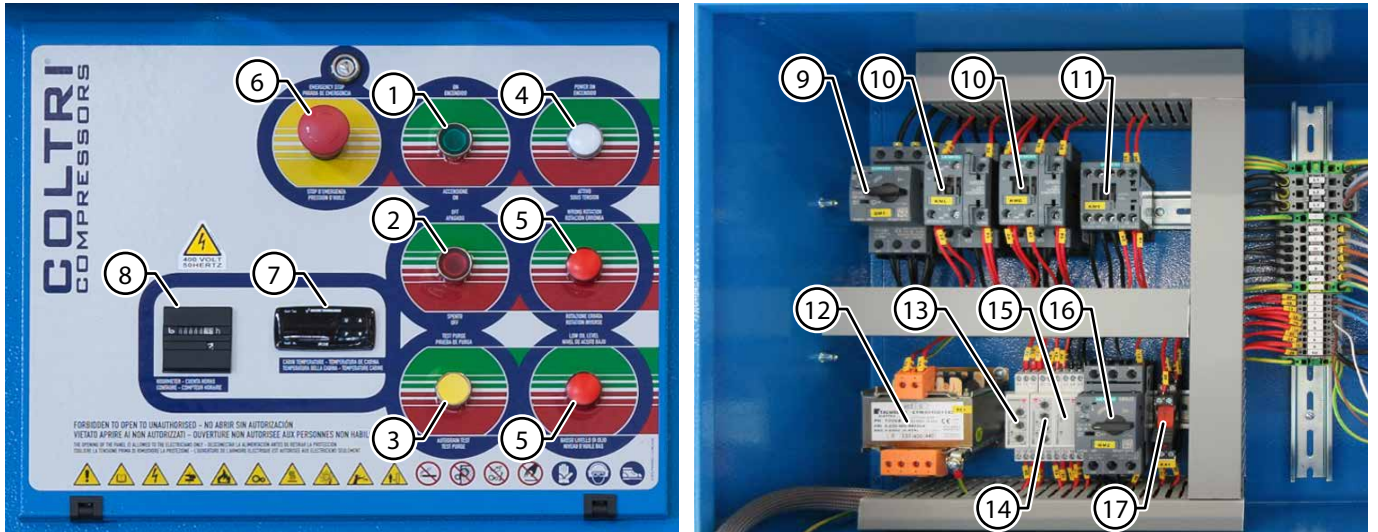
RIF. POS.	Q.TÀ Q.TY	CODICE CODE	DESCRIZIONE	DESCRIPTION
1	1	13-04-0201	PULSANTE VERDE COMPLETO	COMPLETE GREEN PUSH-BUTTON
2	1	13-04-0200	PULSANTE ROSSO COMPLETO	COMPLETE RED PUSH-BUTTON
3	1	13-04-0202	PULSANTE GIALLO COMPLETO	COMPLETE YELLOW PUSH-BUTTON
4	1	SIE3SB34001RE	LUCE BIANCA COMPLETA	COMPLETE WHITE LIGHT
5	1	SIE3SB34001RB	LUCE ROSSA COMPLETA	COMPLETE RED LIGHT
6	1	PULS/ROSSO/FUNG	PULSANTE DI EMERGENZA COMPLETO	COMPLETE EMERGENCY PUSH-BUTTON
7	1	R38HTRR	TERMOSTATO CABINA	CABIN THERMOSTAT
8	1	63223050	CONTAORE	HOUR METER
9	1	3RV20214CA10	INTERRUTTORE PROTEZIONE MOTORE (MCH-30-36)	ENGINE PROTECTION SWITCH (MCH-30-36)
10	2	3RT20241AL20	CONTATTORE LINEA (MCH-30-36)	LINEAR CONTACTOR (MCH-30-36)
11	1	3RT20161AP02	CONTATTORE STELLA (MCH-30-36)	STAR CONTACTOR (MCH-30-36)
12	1	CFM001001182	TRASFORMATORE 100VA	TRANSFORMER 100VA
13	1	DMB51CM24	TEMPORIZZATORE MULTIFUNZIONE	TIMER MULTIFUNCTION
14	1	DCB51CM24	TEMPORIZZATORE PAUSA LAVORO	TIMER PAUSE WORK
15	1	DPA51CM44	SEQUENZA FASI	PHASES SEQUENCE
16	1	3RV20210JA10	INTERRUTTORE AUSILIARIO	AUXILIARY SWITCH
17	1	20-00-0006	RELÈ AUSILIARIO COMPLETO	COMPLETE AUXILIARY RELAY

**PULEGGIA MOTORE/CINGHIA DI TRASMISSIONE - ENGINE PULLEY/TRANSMISSION BELT**

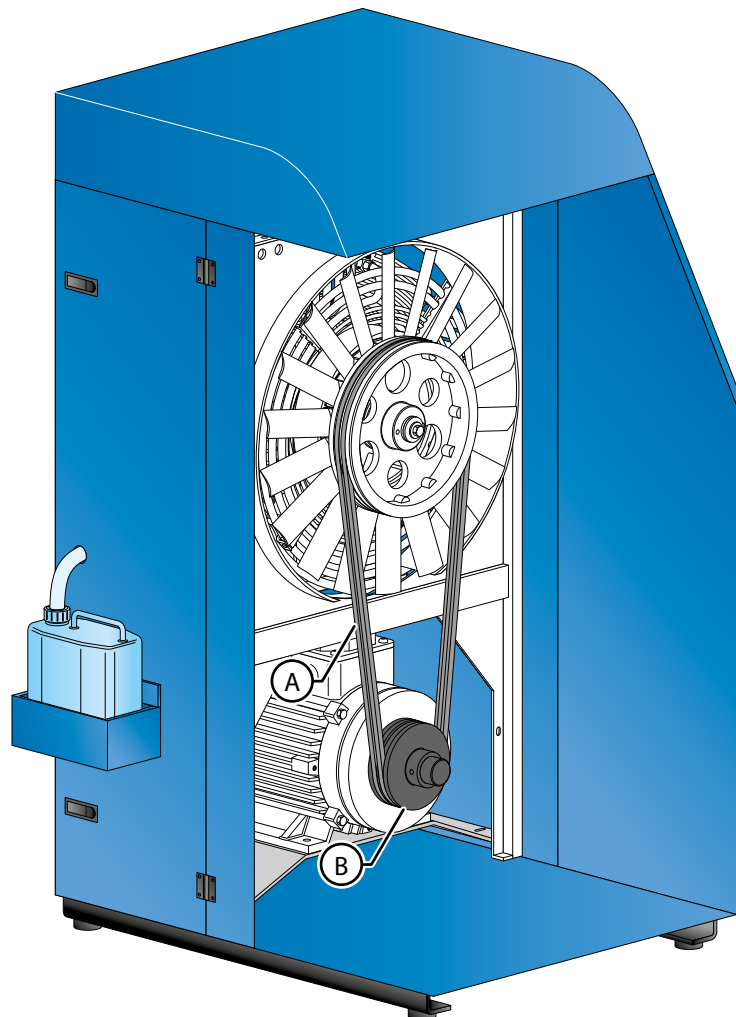
COMPRESSORE COMPRESSOR	TIPO TYPE	MOTORE - POWERED BY			PULEGGIA-PULLEY		CINGHIA-BELT
		POTENZA POWER [KW]	TENSIONE VOLTAGE [V]	FREQUENZA FREQUENCY [HZ]	Ø [MM]	CODICE CODE [B]	CODICE CODE [A]
<b>MCH-22</b>	Trifase Three Phase	7.5	400	50	100	PUL/100/3GOLE	CINGA75
			230	60	110	PUL/110G	CINGA76
<b>MCH-30</b>	Trifase Three Phase	9	400	50	140	36-00-052	CINGA77
			230	60	120	30-05-00100	CINGA76
<b>MCH-36</b>	Trifase Three Phase	11	400	50	140	36-00-052	CINGA77
			230	60	120	30-05-00100	CINGA76
<b>MCH-36 USA</b>	Trifase Three Phase	15	400	50	140	36-00-052	CINGA76
		18	230	60	120	30-05-00100	CINGA76



### QUADRO ELETTRICO - ELECTRICAL BOARD



### PULEGGIA MOTORE/CINGHIA DI TRASMISSIONE - ENGINE PULLEY/TRANSMISSION BELT



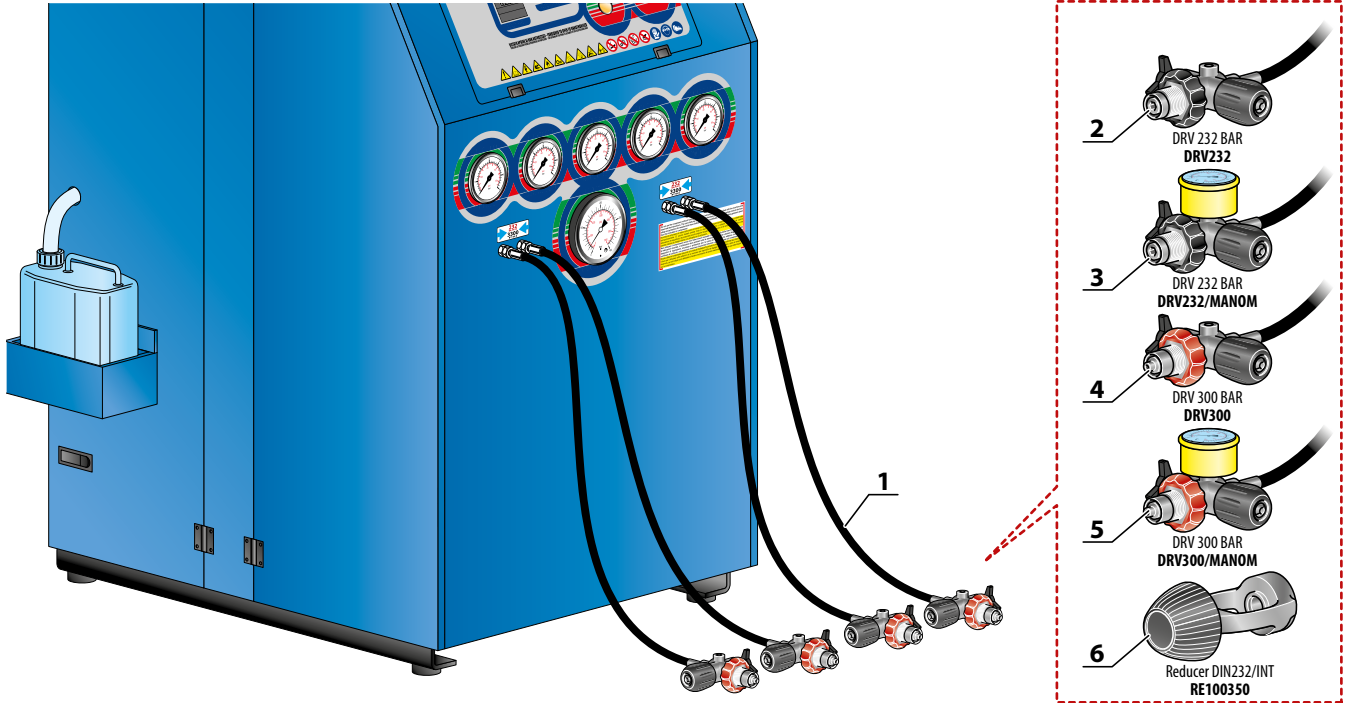
**ATTACCHI PER RICARICA BOMBOLE - CYLINDER REFILL CONNECTORS**

RIF. POS.	Q.TÀ Q.TY	CODICE CODE	DESCRIZIONE	DESCRIPTION
1	1	13-04-0238/AIR/420	FRUSTA DI RICARICA DA 1200MM	REFILL HOSE 1200 MM
2	1	DRV232	RUBINETTO DRV 232 BAR	VALVE DRV 232 BAR
3	1	DRV232/MANOM	RUBINETTO DRV 232 BAR CON MANOMETRO	VALVE DRV 232 BAR WITH MANOMETER
4	1	DRV300	RUBINETTO DRV 300 BAR	VALVE DRV 300 BAR
5	1	DRV300/MANOM	RUBINETTO DRV 300 BAR CON MANOMETRO	VALVE DRV 300 BAR WITH MANOMETER
6	1	RE100350	RIDUTTORE DIN232/INT	CONNECTOR DIN232/INT

**MATERIALI DI CONSUMO - CONSUMABLES**

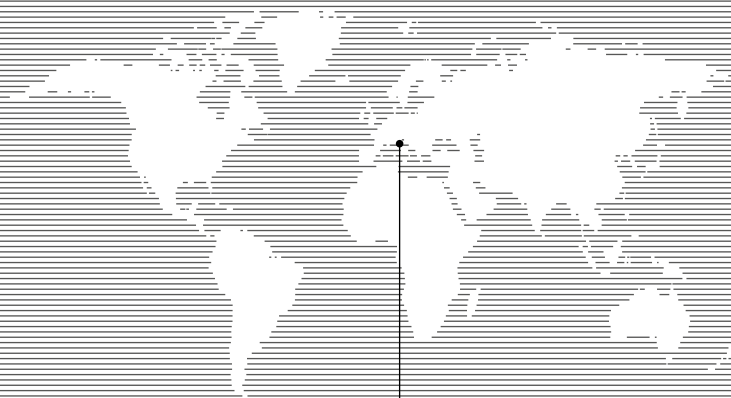
RIF. POS.	Q.TÀ Q.TY	CODICE CODE	DESCRIZIONE	DESCRIPTION
1	1	SC000871	OLIO SINTETICO COLTRI OIL ST 755 1L	SYNTHETIC COLTRI OIL ST 755 1L
2	1	SC000872	OLIO SINTETICO COLTRI OIL ST 755 5L	SYNTHETIC COLTRI OIL ST 755 5L
3	1	GRASSO/ALUGREASE/T	GRASSO SINTETICO ATOSSICO PER TAPPI FILTRO HP	NO-TOXIC SYNTHETIC GREASE FOR CAPS FILTER HP
4	1	36-00-0805	KIT TAPPI E DISCHI PER HYPERFILTER (6 PEZZI)	HYPERFILTER CAPS & DISCS KIT (6 PIECES)
5	1	36-00-0800	KIT FELTRI PER HYPERFILTER (8 PEZZI)	HYPERFILTER FELTS KIT (8 PIECES)
6	1	SC000380	SETACCIO MOLECOLARE	MOLECULAR SIEVE
7	1	SC000350	CARBONE ATTIVO GRANULARE	ACTIVE CARBON
8	1	SC000355	FISSATORE MONOSSIDO DI CARBONIO 814	CO CATALYST MOLECULITE 814

## ATTACCHI PER RICARICA BOMBOLE - CYLINDER REFILL CONNECTORS



## MATERIALI DI CONSUMO - CONSUMABLES





AEROTECNICA COLTRI Spa  
Via Colli Storici, 177  
25015 DESENZANO DEL GARDA (BS) ITALY  
Tel. +39 030 9910301 - Fax. +39 030 9910283  
[www.coltri.com](http://www.coltri.com)

LP-MCH3036-0320